

MODEL
ULTRA-TEMP™
(5 to 8 inches dia.)
FACTORY-BUILT
INSULATED CHIMNEY

**INSTALLATION
INSTRUCTIONS
&
MAINTENANCE GUIDE**
(Canada Only)

**A MAJOR CAUSE OF CHIMNEY-RELATED FIRES IS
FAILURE TO MAINTAIN REQUIRED CLEARANCES
(AIR SPACES) TO COMBUSTIBLE MATERIALS**

**IT IS OF THE UTMOST IMPORTANCE THAT THIS
CHIMNEY BE INSTALLED ONLY IN ACCORDANCE
WITH THESE INSTRUCTIONS**

**TESTED TO
CAN/ULC-S604**



LISTED



**PLEASE READ ALL INSTRUCTIONS BEFORE BEGINNING YOUR INSTALLATION. FAILURE TO INSTALL
THIS SYSTEM IN ACCORDANCE WITH THESE INSTRUCTIONS WILL VOID THE CONDITIONS OF
CERTIFICATION AND THE MANUFACTURERS WARRANTY. KEEP THESE INSTRUCTIONS IN A SAFE PLACE
FOR FUTURE REFERENCE**

SELKIRK CANADA CORPORATION

1400 California Ave.,
Brockville, ON
K6V 5V3
1-800-267-8178
Fax: 1-800-663-3620
www.selkirkcanada.com
info@selkirkcanada.com



TABLE OF CONTENTS

FUELS AND APPLIANCES.....	3
RULES FOR SAFETY DURING INSTALLATION.....	3
GENERAL INSTALLATION RULES.....	3
TOOLS.....	3
CHIMNEY SIZING.....	3, 4
FRAMING DETAILS.....	4
CEILING SUPPORT	4, 5
ATTIC INSULATION SHIELD	5
FIRESTOP JOIST SHIELD.....	5
ELBOW INSTALLATION.....	6
ADJUSTABLE WALL SUPPORT.....	6, 7, 8, 9
WALL BAND.....	9
CATHEDRAL CEILING SUPPORT	9, 10
ROOF SUPPORT	10
ROOF FLASHING	10, 11
UNIVERSAL ROOF BRACE KIT.....	11, 12
ROUND TOP AND SPARK ARRESTER.....	12
STOVE PIPE ADAPTER.....	12, 13
ANCHOR PLATE	13
CHIMNEY OPERATION AND MAINTENANCE.....	13
OFFSET CHART.....	14
CHIMNEY CHART ABOVE ROOF.....	15
REPLACEMENT PARTS LIST.....	15
WARRANTY.....	16
PRODUCT REGISTRATION/RECORD.....	17

If you are knowledgeable in carpentry and mechanically inclined, you can take on the task of installing your new venting system. It is important that all pertaining installation instructions and local codes are followed carefully. If you have any doubt concerning your ability or knowledge of the appliance being connected to your chimney system, arrange for a professional installation. Certified technicians having installed systems many times before have the knowledge and experience to perform your installation in a professional and timely manner.

FUELS & APPLIANCES:

Model UT chimney has been designed for connection to liquid fuel or gas fired residential type appliances and building heating appliances, in which normally producing flue gases of 540° C (1000° F) or less. Model UT may also be installed with specific factory built fireplaces where specified in the manufacturers installation instructions and identified on the fireplace rating label. Model UT chimney is listed for use with Selkirk fireplace models.

Before commencing the installation ensure that you obtain any necessary building permits, and that your installation will conform with all federal and municipal building codes requirements affecting the fuel-burning appliance and its chimney. This chimney is intended for use in accordance with:

- National and Provincial Building Code of Canada,
- CAN/CSA B-149.1-00 Installation Code for Gas Equipment,
- CAN/CSA B-139.00 Installation Code for Oil Burning Equipment;
- Appliance and venting manufacturers's Installation Instructions.

RULES FOR SAFETY DURING INSTALLATION:

MAINTAIN A 2" (50MM) MINIMUM AIR SPACE CLEARANCE BETWEEN THE INSULATED CHIMNEY SECTIONS AND COMBUSTIBLE MATERIALS

Do not place any type of insulating materials or run any electrical wiring within the required clearance air space surrounding the chimney.

- Be very careful around electrical wiring and be sure it is secured at least 2 inches away from any part of the chimney. If wiring must be relocated, hire a professional electrician.
- Be sure that electrically powered tools are properly grounded.
- Be sure that ladders are in good condition and always rest on a level firm surface.

WEAR SAFETY GLOVES WHEN HANDLING SHEET METAL PARTS WITH SHARP EDGES

GENERAL INSTALLATION RULES:

The chimney should be located within the building so as to avoid cutting or altering load bearing members such as joists, rafters, studs, etc. If you require to cut or alter an existing load bearing member, special reframing methods are required which often include doubling of adjacent members. If such a case arises, contact your local Building Code Official regarding local regulations and proper installation methods.

The chimney pipe and fittings must be assembled with locking bands or stainless sheet metal screws, maximum length of 1/2" (12.70mm) on all interior joints. Locking bands must be used on all exterior joints.

Support all offsets with an offset support and adequate strapping.

Model UT chimney requires 2" (50mm) clearance to combustible material or as established by support assembly.

Attach flue pipe parts securely to each other, and to the appliance using three sheet metal screws per joint.

Sections of the UT chimney which pass through accessible areas of the building such as closets, storage areas, occupied spaces or anyplace where the surface of the chimney could be contacted by persons or combustible materials must be enclosed in a chase to avoid personal contact and damage to the chimney.

Enclosures may be fabricated using standard building materials such as 2" x 4" wood framing with gypsum drywall or plywood walls and must have a fire rating equal to or greater than the floors or ceilings through which the chimney passes.

NOTE: The ideal location for your chimney system is within the building envelope. In cold climates, the use of external chimneys may result in operational problems such as poor draft, excessive condensation of combustion products and rapid accumulation of creosote. Under these circumstances, the installation of the chimney within the building is strongly recommended.

If the chimney must be installed on an exterior wall it is recommended that the chimney be enclosed below the roof line to protect the chimney from cold outdoor temperatures, this may help reduce condensation, creosote formation and enhance draft. Provide an access door by the Tee Cap for chimney inspection and cleaning. The exterior enclosures may be insulated, maintaining the required minimum air space clearance of 2" (50mm) to any part of the chimney. Consult local building codes for cold climate applications.

YOUR CHIMNEY HAS BEEN TESTED, AND LISTED USING ALL OF THE SUPPORTS, SHIELDS, ETC., DESCRIBED HEREIN. DELETION OR MODIFICATION OR ANY OF THE REQUIRED PARTS OR MATERIALS MAY SERIOUSLY IMPAIR THE SAFETY OF YOUR INSTALLATION, AND VOID THE CERTIFICATION AND OR WARRANTY OF THIS CHIMNEY

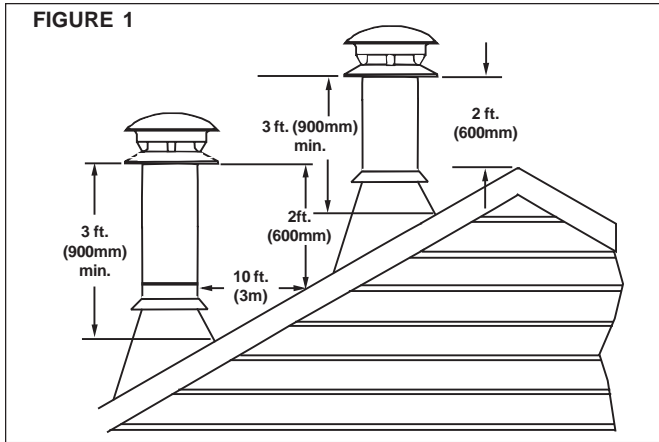
TOOLS:

Your UT chimney system is designed for installation using standard building materials and procedures. The following tools/equipment may be required as well as some others depending on the location and structure in which the chimney is to be installed:

- | | |
|-------------------|-------------------------------|
| -Safety gloves | -Screwdrivers and pliers |
| -Safety goggles | -Plumb line and level |
| -Hammer and nails | -Square |
| -Tin snips | -Keyhole saw or power jig saw |
| -Tape measure | -Caulking gun and caulking |

CHIMNEY SIZING:

The correct chimney size is essential to the efficient operation of the chimney and the appliance which it serves. Consult the appliance manufacturer's installation instructions or your dealer for proper chimney diameter size. Plan the installation of your appliance and chimney in such a way that both your chimney and flue pipe runs are as short and straight as possible. By having too long and/or multiple bend installations you can reduce system draft which can affect the operation, and/or performance of your appliance and/or chimney system.



Authority require that the chimney extend not less than 3ft (900 mm) above the highest point where it passes through the roof of a building and not less than 2ft (600 mm) higher than any portion of a building within 10ft (3m) horizontally. See Figure 1 and Chart 2 in the back of these instructions.

FRAMING DETAILS:

Plan your installation carefully. If possible, position the appliance so that the flue outlet is centered between joists, rafters or studs. Drop a plumb line to the center of the flue outlet and mark this center point on the ceiling. Lay out and frame all openings ensuring the specified 2" clearance to combustibles is maintained. All openings should be square, plumb and in perfect alignment with each other (see Figure 2). For angled roofs, ensure that the framing dimensions are measured on the horizontal plane (see Figure 3).

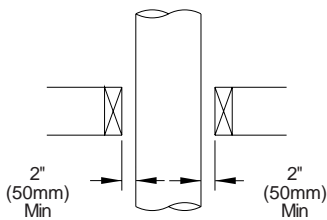


Figure 2
Typical Joist Framing

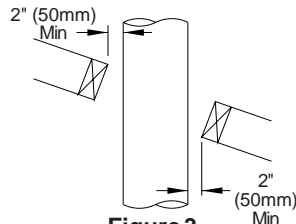


Figure 3
Typical Roof Joist Framing

Chimney Inside Diameter:	MODEL UT			
	5"	6"	7"	8"
Ceiling Support*	10 1/4"	10 1/4"	11 1/4"	12 1/4"
Cathedral Support	12 1/4"	12 1/4"	N/A	N/A
All other framing*	11"	12"	13"	14"

*All framing dimensions may be up to 1/2" more, but not less than the above values.

INSTALLATION PROCEDURES:

CEILING SUPPORT

To complete a proper Ceiling Support installation, the following parts may be required.

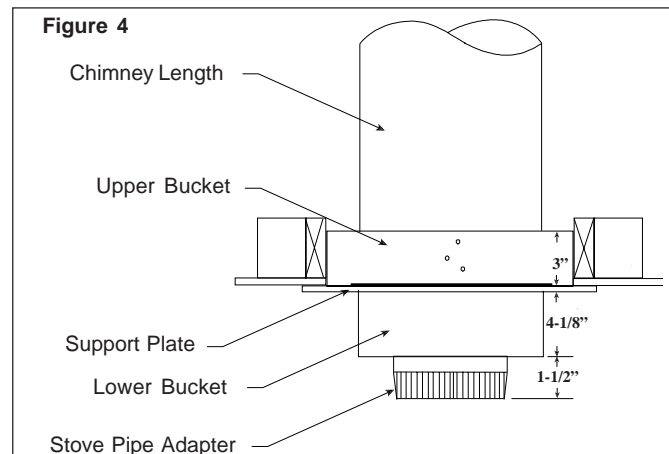
- Ceiling Support: For joist supported chimney system.
- Attic Insulation Shield: Where a chimney enters an open attic space.
- Firestop Joist Shield: Installed where the chimney passes from one living space to another living space or as specified in the listed factory-built fireplace installation instructions.

- Roof Flashing: Required when the chimney penetrates a roof.
- 15°, 30° or 45° Elbow Kits (2 per box with locking bands and elbow support).
- Suitable lengths of chimney: Available in 6", 12", 18", 24" and 36" lengths. A 48" length is available in 6" and 8" only.
- Round Top
- Stove Pipe Adapter

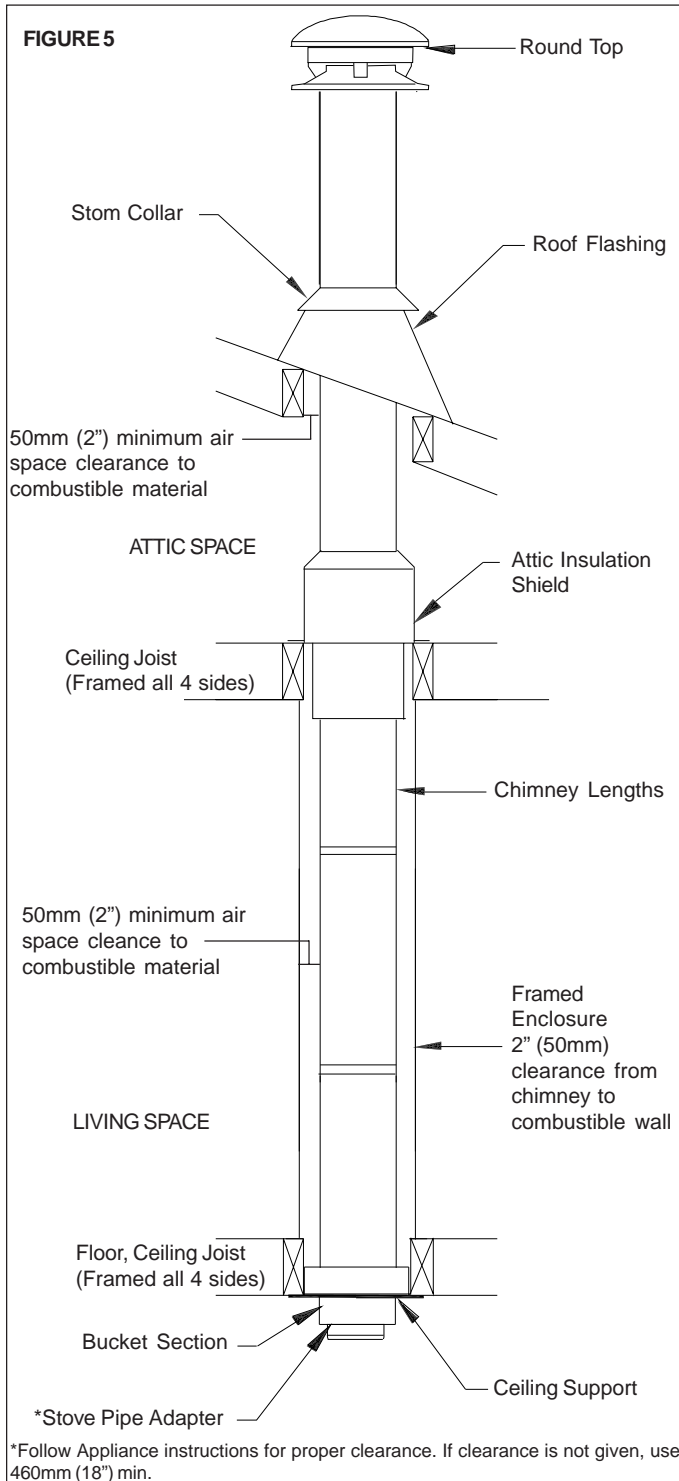
The Ceiling Support is intended for installation below a finished or unfinished ceiling.

The following instructions will assist you in the installation of your chimney with a Ceiling Support. This support will hold up to 15.25m (50') of chimney sections, all of which must be installed above the support.

1. Frame a level square opening (all four sides). Inside dimensions should conform to Table 1.
2. With the Lower Bucket removed, place the upper bucket assembly into the framed opening from below.
3. Ensure that the support plate is level and flush and drive one nail, 1-1/2" common or spiral, part way into each of the four (4) nailing areas of the support. You may substitute nails with #8 x 1-1/2" wood screws.
4. Finish nailing through all prepunched holes (12 nails total) and fasten the finishing (support) plate to the ceiling (see Figure 4).
5. Replace the Bucket Section from above. Connect the proper sized Stove Pipe Adapter to the first chimney length. Lower this chimney section down into the bucket section, with the male end pointing upwards as indicated by the arrow on the chimney label.
6. Additional chimney lengths above the support are simply stacked on, twist locked with a 1/8 clockwise turn and secured with a locking band at each chimney joint. A locking band is supplied with every chimney length and must be used on all chimney joints, interior or exterior. Stainless steel sheet metal screws (maximum length of 12.70mm (1/2")) may be substituted on interior joints.
7. Finish the chimney to its required height.
8. If an offset is installed in the system, an Offset Support must be installed as shown in Figure 7.
9. If the chimney extends 5 feet (1.5 m) or more above the roof, additional lateral support is required, such as the Universal Roof Brace Kit.



Warning: The chimney lengths and its fittings must be assembled with metal-to-metal joints as furnished. Do not use tape or any sealing compound (such as tar, mastic, putty or silicone) at the outer joints. Sealers in the joints may cause the insulation to accumulate moisture and may cause corrosion or freezing failures.



FIRESTOPPING:

Firestopping is required at every joist level. Wherever a chimney passes through a ceiling or floor, through a wall, or into an enclosure, it must be firestopped. No firestopping is required in conjunction with a Ceiling Support installed as shown in Figure 5, the Ceiling Support provides the firestopping. Firestopping performs the following essential functions for both the dwelling and the chimney.

- Together with a fully framed opening (all four sides) it controls vertical and horizontal spread of any fire external to the chimney.
- It stabilizes the chimney in the framed opening and defines and maintains the required two inch AIR SPACE clearance to combustibles.
- It prevents heat losses from the dwelling by blocking vertical air circulation in the space around the chimney.
- It helps provide stability for chimney extending above the roof.

ATTIC INSULATION SHIELD

The function of the Attic Insulation Shield (or a complete enclosure) is to keep insulation from coming into contact with the chimney. Where height restrictions will not permit the use of the Attic Insulation Shield, an enclosure from the attic joist to the roof joist will be sufficient. All chimney enclosures must maintain the required minimum air space clearance of 50mm (2") to the chimney (see Figure 5).

For proper installation, the attic opening should be fully framed at 2 inches clearance to the chimney pipe with framing material of the same dimension as the ceiling joists as per Table 2. The tabs on the base plate of the AIS are inserted in the framed opening around the chimney. Nail the AIS base to the framing dimensions with at least 2 nails per side using 2d (1") spiral nails or 1" x #8 wood screws.

The Attic Insulation Shield allows for a depth of insulation of 10 inches plus the depth of the ceiling joists. If insulation is blown in and adheres to the chimney pipe, it should be brushed off to eliminate any possible contact of this material with the chimney surface.

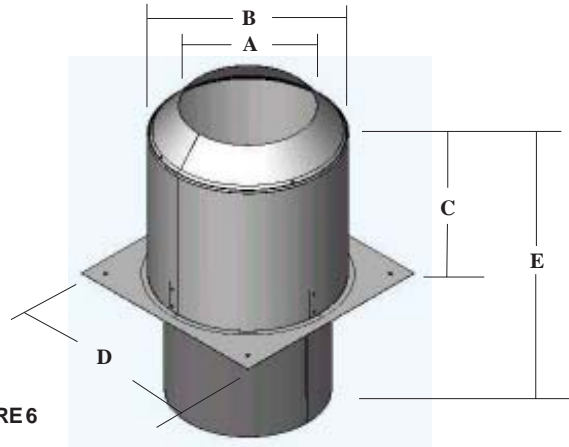


FIGURE 6

DIAMETER OF CHIMNEY	5"	6"	7"	8"
FRAMED OPENING	11 x 11 280 x 280	12 x 12 305 x 305	13 x 13 330 x 330	14 x 14 356 x 356
"A" DIM.	7 -1/4"	8 -1/4"	9 -1/4"	10 -1/4"
"B" DIM.	11"	12"	13"	14"
"C" DIM.	10"	10"	10"	10"
"D" DIM.	13"	14"	15"	16"
"E" DIM.	18 -1/2"	18 -1/2"	18 -1/2"	18 -1/2"

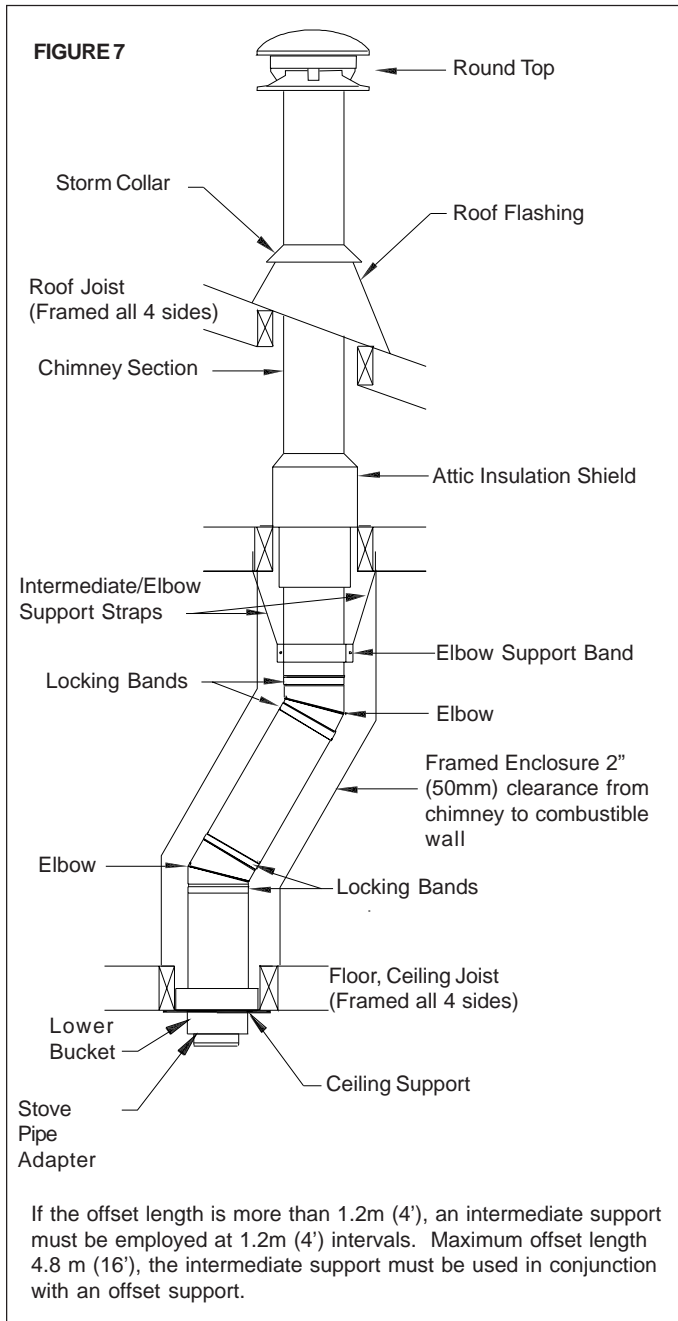
FIRESTOP JOIST SHIELD

A Firestop Joist Shield must be installed where the chimney passes from one living space to another living space. It is installed from either above or below the joist. Nail the Firestop Joist Shield using 1-1/2" common or spiral nails, into the framed opening outlined in Table 1.

ELBOW INSTALLATION

Elbow Kits (2 elbows, 1 offset support and 4 locking bands).

	MODEL UT			
	5"	6"	7"	8"
15° Elbow Kit	X	X	X	X
30° Elbow Kit	X	X	X	X
45° Elbow Kit		X	X	X



One pair only of (two) 15 or 30 or 45 degree elbows may be used to provide an offset in order to avoid cutting of joists and to clear other obstructions. The vertical run of chimney above an offset must be supported with an elbow support. Each elbow support will support 10m (30') of chimney. If the offset length is more than 1.2m (4'), an intermediate support (plumbing straps not supplied) must be installed at 1.2m (4') intervals in conjunction with an offset support. Maximum offset length is 4.8m (16'). See Figure 7 and the Offset Chart for assistance in selecting your offset.

The female end of the elbows are not **lanced** in order to ensure proper alignment of the chimney system can be maintained.

Install and position the insulated elbow on the vertical chimney length in the required direction. Fasten the elbow to the chimney length with the supplied locking band.

Place the required offset chimney length(s) (see Offset Chart for appropriate length(s)) on the elbow. Turn it clockwise to lock it in place and install the supplied locking band.

Install the remaining offset elbow to return the chimney back to the vertical position. Again secure in place with the supplied locking band. *Locking bands and/or stainless steel sheet metal screws can be utilised with a maximum length of 12.70mm (1/2") only on all chimney joints forming an offset.

During installation provide supplementary support for the offset section to avoid undue stress on connected elbows.

Install an Elbow Support on the vertical length just above the highest elbow. Securely clamp the support band to the chimney length just above the locking band at the joint. Attach the support straps to the support band assembly and nail them to the framing using 1-1/2" nails or #8 x 1-1/2" wood screws (2 per straps) as per Figure 7.

Never install an elbow in a joist area. Chimney sections must pass vertically through framed joist areas.

ADJUSTABLE WALL SUPPORT

As previously mentioned, the ideal location for your chimney system is within the building envelope. An Adjustable Wall Support is required when the above mentioned location is not possible.

The adjustable Wall Support will allow for an adjustment of 2" to 6" from a vertical wall. Threaded studs are factory installed on both side brackets and the support plate for fast and easy assembly (see Figure 9).

Chimney Size	127mm 5"	152mm 6"	178mm 7"	203mm 8"
Minimum Round Hole Diam. For Non-Combustible Wall	183 (7-3/16")	210 (8-3/16")	233 (9-3/16")	259 (10-3/16")
Minimum Framed Opening for Combustible Wall	280 x 280 11" x 11"	305 x 305 12" x 12"	330 x 330 13" x 13"	356 x 356 14" x 14"

To complete a proper Wall Support installation, the following parts may be required:

- Adjustable Wall Support: Intended for a through-the-wall installation where the chimney has a horizontal connection.
- Suitable Lengths of chimney: Installed above the support.
- Through-The-Wall Length: Attaches to tee branch.
- Insulated Tee w/Plug
- Insulated Wall Thimble: Required to pass through a combustible wall.
- Wall Band: Required to provide lateral support to the chimney.
- Round Top: To prevent rain and/or debris from entering in the chimney.
- Stove Pipe Adapter: To connect from the chimney to appliance's flue pipe.
- Roof Flashing: Required when the chimney penetrates a roof or a roof overhang.

Never offset an exterior chimney.

The maximum chimney height above an Adjustable Wall Support is indicated in Table 5 and illustrated in Figure 8, all of which must be above the support.

The following steps will assist you in the installation of the Adjustable Wall Support. Figure 13 shows a typical Wall Support installation.

1. Determine the centre line of the horizontal connection (length through the wall) and frame an opening to the dimensions specified in Table 4.
2. For a non-combustible wall (concrete block or poured foundation), cut a hole 5mm (3/16") greater in diameter than the outside diameter of the chimney as per Table 4.
3. After framing in your opening to the dimensions specified in the Framing Dimensions in Table 1, install the outer half (with the unfinished square plate) of the Insulated Wall Thimble in the outside wall opening. Secure in place using appropriate fasteners through the pre-punched holes.
4. Install the inner half (with black plate) of the Insulated wall Thimble in the inside wall opening, ensuring that the shield slides into the shield of the outer half. Once in place and flush against the wall, fasten with appropriate fasteners through the pre-punched holes.
5. Assemble the side Brackets (point of triangle facing down) to the Support Plate (flange up) by inserting the threaded studs into the oblong slots. Install the supplied nuts on the threaded studs. (see Figure 9 & 10).

Distance from Wall to Chimney	Table 5 - Wall Support Chimney Height Chart			
	5" ID Chimney	6" ID Chimney	7" ID Chimney	8" ID Chimney
D (inches) Wall/Chimney	H(feet) Max. Height	H (feet) Max. Height	H (feet) Max. Height	H (feet) Max. Height
2	74	63	56	49
2.5	73	62	55	48
3	71	60	53	47
3.5	69	59	51	46
4	66	56	49	44
4.5	62	53	46	42
5	58	50	43	39
5.5	52	45	38	35
6	45	39	34	30

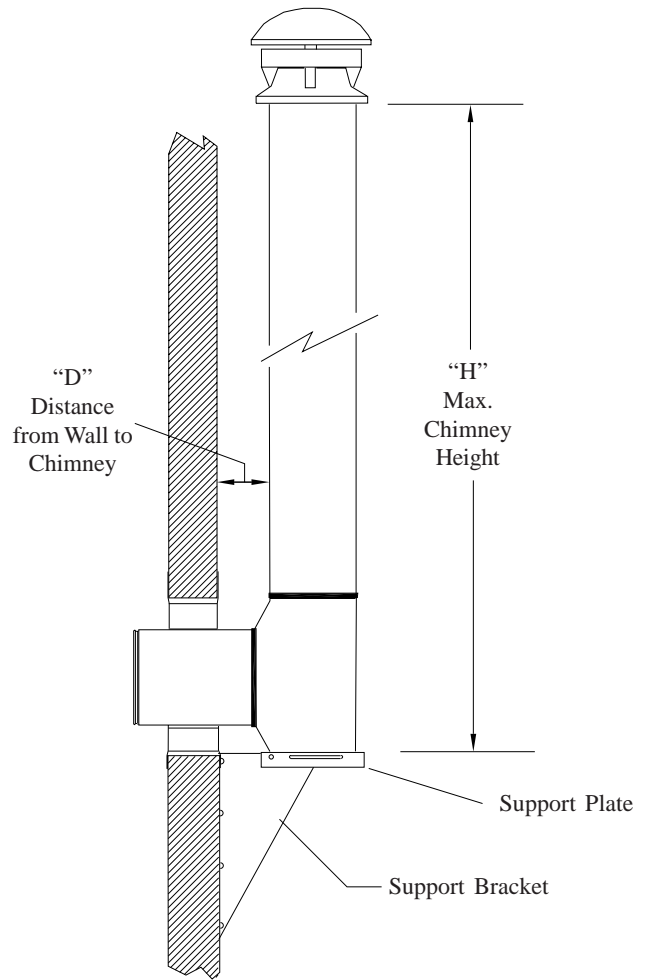


FIG. 8 - See Table 1 for Maximum Chimney Heights based upon Chimney Diameter and Distance from Wall

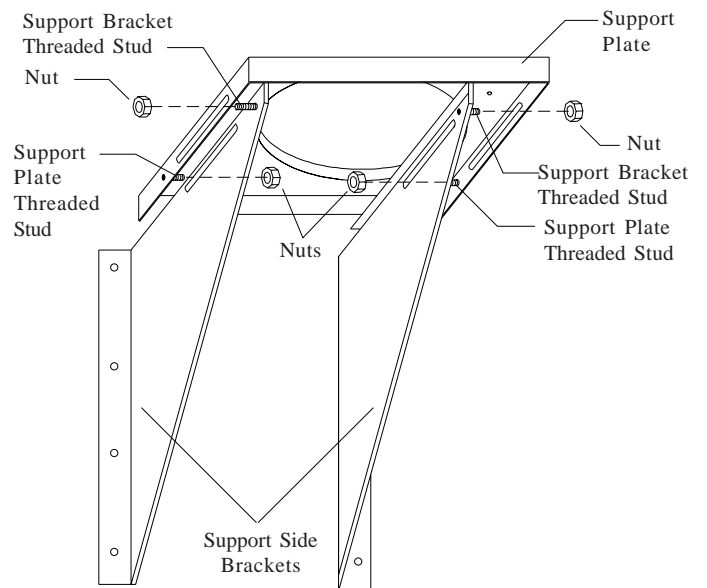


FIG. 9 - UNDERSIDE VIEW OF THREADED STUDS AND NUTS

6. Ensure that the Wall Support is level, and secure to the wall through the pre-punched holes located on the sides of each of the wall support brackets using (8) #14 x 1-1/2" hex head lag screws or #10 x 1-1/2" wood screws. You can drill 5/32" pilot holes for the lag screws.

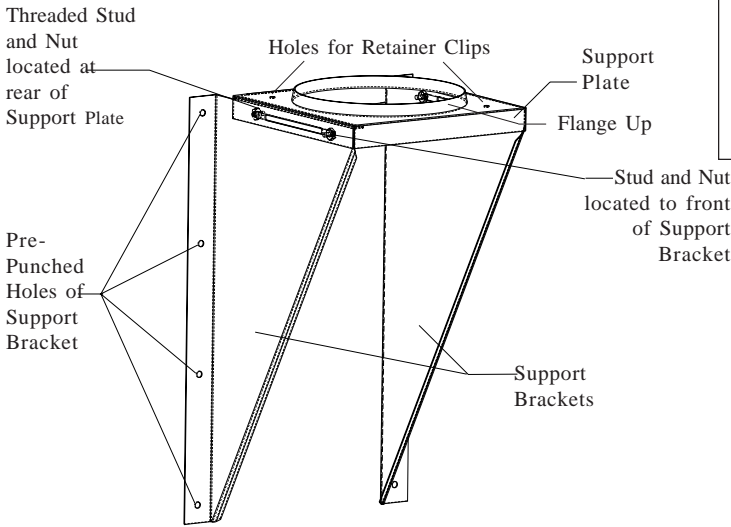


FIG. 10 - FRONT VIEW OF WALL SUPPORT ASSEMBLY

7. Once in its final position and all clearances have been met, tighten each of the nuts on the threaded studs.

8. Attach the two (2) retainer clips to the bottom of the support plate and fasten with the supplied nuts and bolts using the two (2) holes on top of the support plate (see Figures 10 & 12).

9. Place the insulated Tee on the support plate ensuring that the male coupler of the Tee is facing up and the flange on the top of the plate slides into the female coupler. Insert and secure the Tee Cap with the attached retainer clips (see Figure 12). In earthquake zones, secure the Tee to the flange on the support plate by installing 2 stainless steel sheet metal screws as per figure 12.

10. For extension of the Tee, slide an appropriate insulated Chimney Length through the Wall Thimble and attach it to the horizontal branch of the Insulated Tee with the supplied locking band. Make sure the nut and bolt are facing down to prevent any water from collecting in the locking band. The insulated length must protrude at least 76mm (3") through the wall into the room as per Figure 13.

11. Use a non-hardening high-temperature sealant (500° F) to seal around the horizontal length where it enters the wall thimble or the concrete wall.

12. Chimney lengths above the Insulated Tee are simply stacked on and locked with a 1/8 clockwise turn. Locking bands must be used on all joints.

13. For lateral stability of the chimney above the support, a Wall Band must be used every 8 feet, and at least one Wall Band must be installed. Interior chimneys must use the Firestop Joist Shield (JS) in place of Wall Bands if extending through floor / ceiling penetrations.

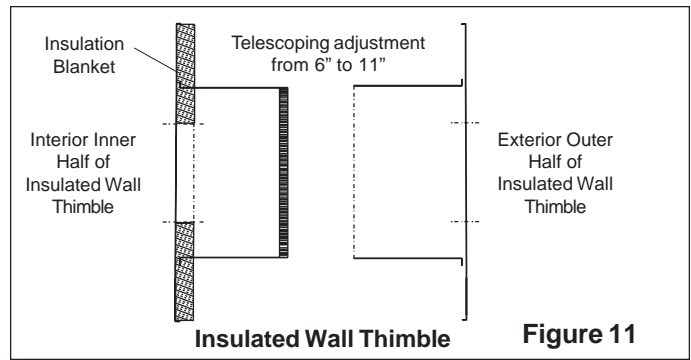
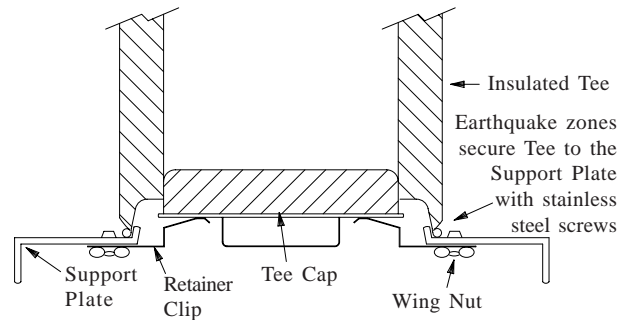
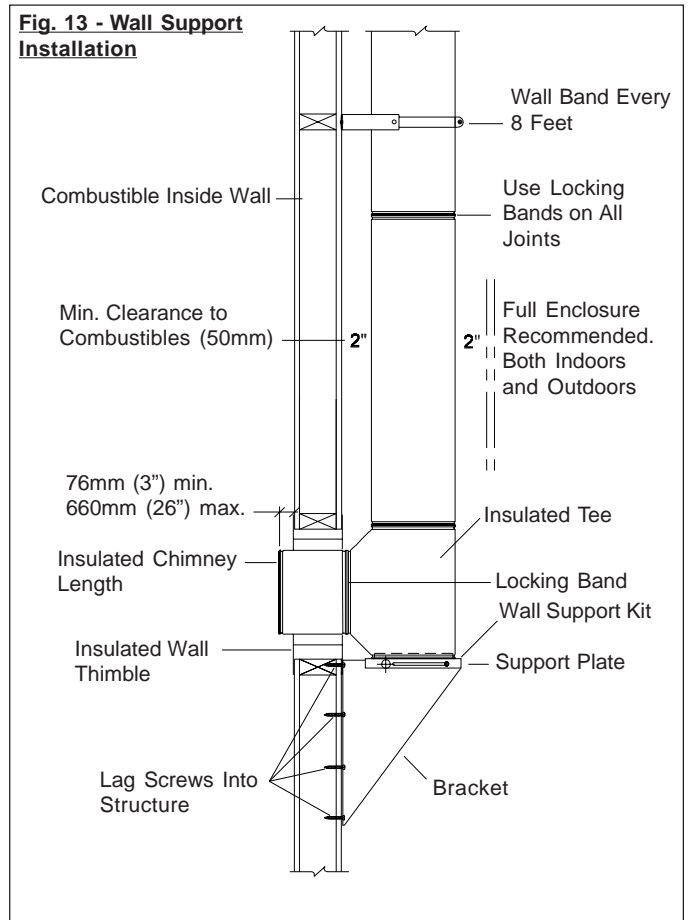


FIG. 12 - SECURING OF TEE CAP



WARNING: Tee Cap and Retainers must be installed. Failure to install retaining clips could cause fire, injury or death.



NOTE: Inverting the brackets (brackets mounted above the support plate) can be accomplished by inserting extra bolts through the oblong slots of the support side brackets and the support plate as per Figures 14 and 15. Secure with nuts. In this position, the range of adjustability is limited to 5" from the wall.

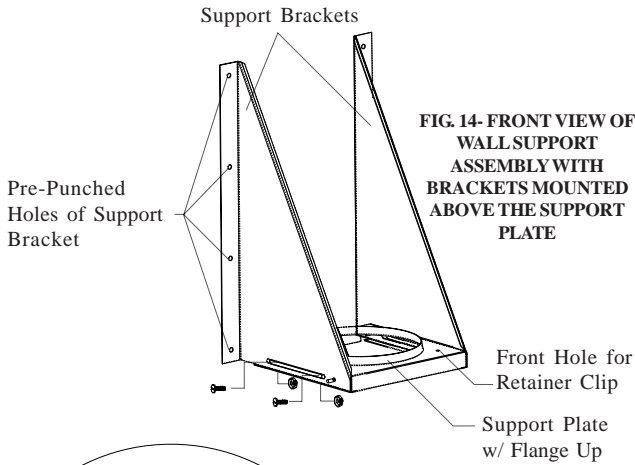


FIG. 14- FRONT VIEW OF WALL SUPPORT ASSEMBLY WITH BRACKETS MOUNTED ABOVE THE SUPPORT PLATE

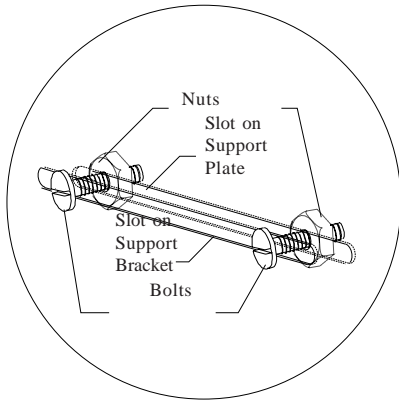
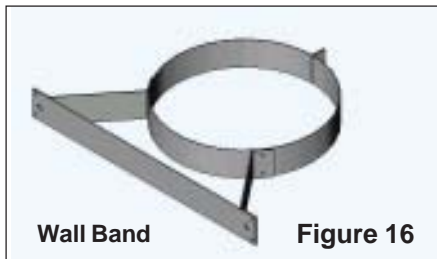


FIG. 15- SLOT AREAS WITH BOLTS AND NUTS ASSEMBLY OF SUPPORT BRACKET AND SUPPORT PLATE

WALL BAND

The Wall Band is used along an outside wall at 8 ft intervals for lateral stability. Secure the Wall Band bracket to the wall using two 6d or 2" spiral nails. For concrete walls use suitable masonry fasteners. The nut and bolt supplied will fasten the band around the chimney.



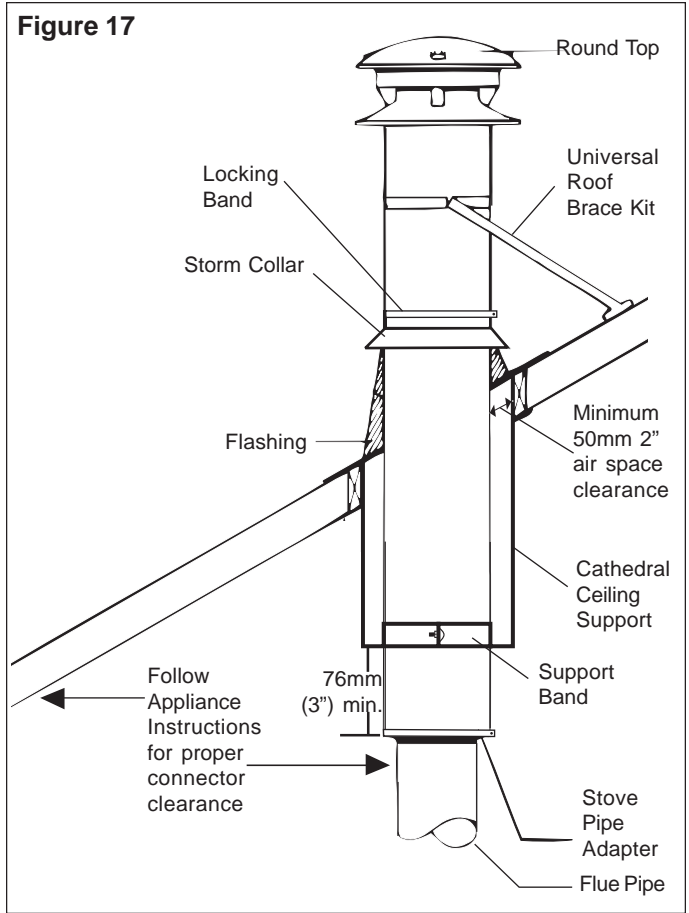
CATHEDRAL CEILING SUPPORT

A Cathedral Ceiling Support is available for 5" and 6" diameters chimney only. For other diameters, a roof support can be used to

suspend the chimney below the roof. To complete a proper Cathedral Ceiling Support installation, the following parts may be required:

- Cathedral Ceiling Support /w 4 painted ceiling trim angles
- Roof Flashing w/ Storm Collar
- Suitable lengths of chimney
- Stove Pipe Adapter
- Trim Collar
- Round Top

The following instructions will assist you in the installation of your chimney with a Cathedral Ceiling Support. This support will hold up to 30' of chimney, of which 15' can be suspended below the box. Chimney joints made below the support must be secured with locking bands.



NOTE: The male coupler of the chimney length must be pointing upwards as per the arrow on the chimney label.

The bottom chimney length should protrude into the living space so that proper clearances are maintained at the adapter (see Figure 17).

The Cathedral Ceiling Support Box is manufactured to an overall outer dimension of 12" x 12" (305mm x 305mm). Therefore, the suggested framing to fit the box is 12-1/4" x 12-1/4" (311 x 311mm).

After framing in your opening to the dimensions specified above and in Table 1, slide the Cathedral Support Box into the joist/rafter opening. Once the box is at the desired location, ensure the box is level and plumb. Nail the box to the framing using four 2" spiral nails or equivalent per side. The excess material sticking above the roof can either be trimmed off before attaching the box to the framing or, after it is installed the corners can be cut and the excess material folded down onto the roof deck.

Install the Support Band on a chimney length at the desired

position by tightening the support band with the bolt and nut. Secure the band to the chimney outer casing by screwing four stainless steel sheet metal screws through the support band and into the outer casing. Lower the chimney length down through the opening in the bottom of the support box, so that the Support Band makes contact with the bottom of the Support Box (see Figure 17).

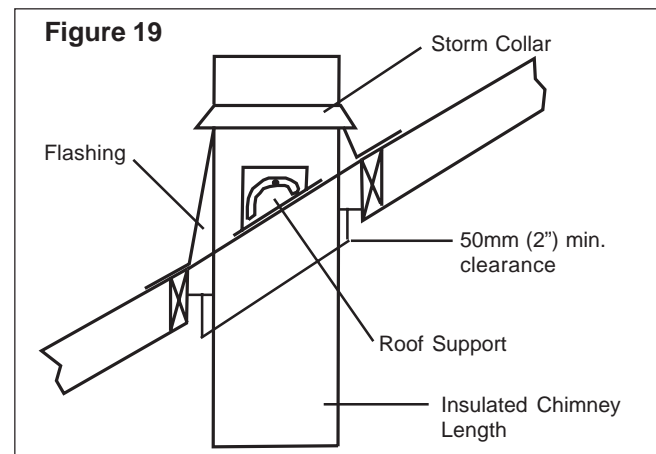
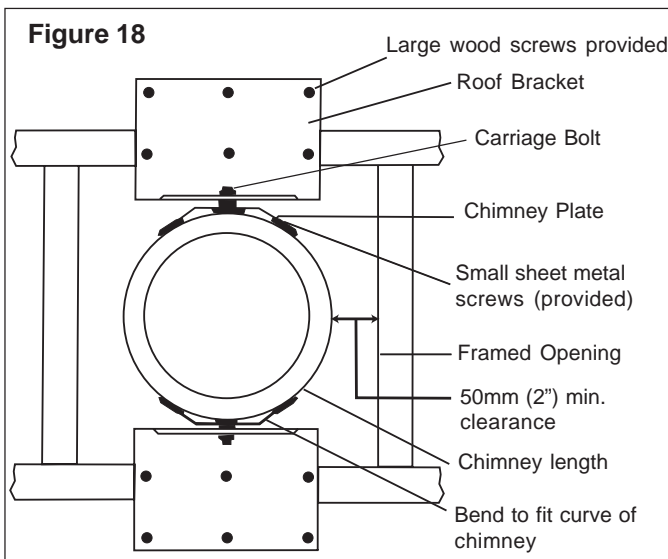
Install additional chimney sections and lock together by turning clockwise until the two sections lock together tightly. Locking bands must be used at all joints. Continue in this manner until the required height above the roof is achieved.

Chimney sections installed below the Cathedral Support are locked together from below by turning counter-clockwise until tightly locked together with each joint being secured by locking bands which are provided. Do not offset the chimney below the Cathedral Support.

ROOF SUPPORT

The following instructions will assist you in the installation of your chimney with a Roof Support. This support will hold up to 9.0 m (30') of chimney of which 6.0 m (20') may be suspended beneath it.

1. Frame a rectangular roof opening to provide a 50mm (2") minimum clearance from combustible materials (See Figure 18).
2. Bend both chimney plates at the vertical slots to fit the outside curvature of the chimney length (Figure 18).



3. Determine the chimney plate position on the chimney casing (See Figure 19).

4. Install two (2) carriage bolts per chimney plate in the square holes.

5. Using the bent chimney plate as a template, drill 3/32" holes in the outer casing of the chimney (do not penetrate more than 12 mm (1/2") into the chimney). Attach the plate with the small sheet metal screws provided.

6. Install the second plate in a similar manner on the opposite side of the chimney length.

7. Attach the Roof Brackets to the chimney plates. Centre the assembly in the roof opening, ensuring that a 2" clearance to combustible is maintained.

8. Adjust Roof Brackets to the roof pitch and tighten nuts. Attach to the roof with six (6) large wood screws per bracket with the inner-most screws going into the rafters or headers (See Figure 18 & 19).

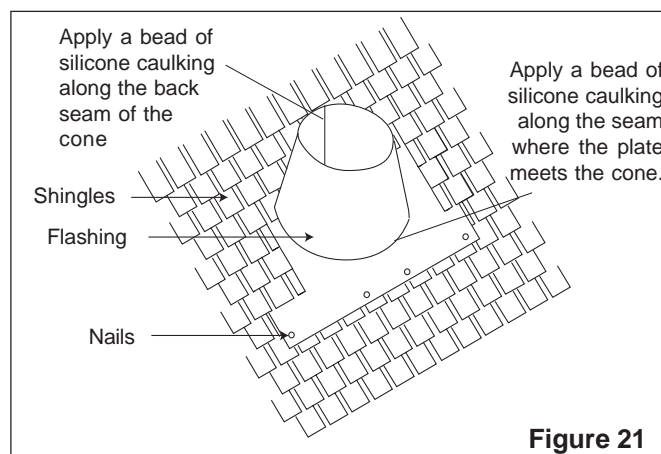
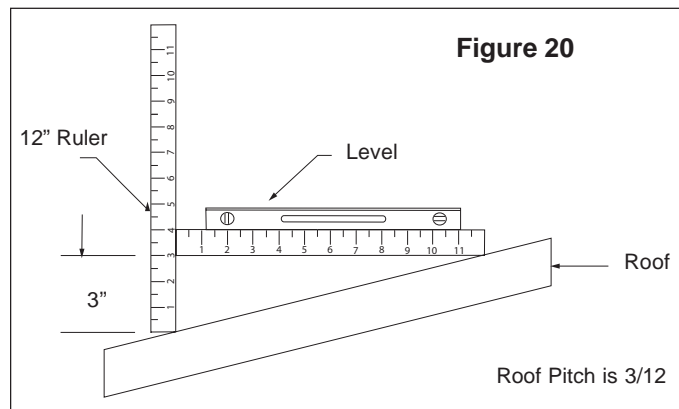
9. Additional chimney lengths above the support are simply stacked on and locked with a 1/8 clockwise turn.

10. Locking Bands must be used on all exterior joints.

11. Finish the chimney to its required height. If the chimney extends 1.5 m (5') or more above the roof, a Universal Roof Brace Kit is required (see Figure 22).

ROOF FLASHING:

Ensure that you have the proper roof flashing by checking your roof pitch using a level and two rulers (see Figure 20) or by using a roof pitch card.



Once you have marked and located the area where the chimney will come through the roof, center, position and prepare the roof area by removing shingles, shingle nails and cutting the roofing material. Frame a RECTANGULAR opening to suit the pitch of the roof and ensure that a 2" (50mm) clearance is maintained to combustibles on all four (4) sides. This is done before extending the chimney above the roof. Do not nail the flashing to the roof at this time as adjustments may be required.

Slide the top edge (nearest the roof peak) of the flashing under the roofing shingles. At least half of the flashing (top and sides) should be UNDER the shingles and the lower end OVER the shingles to provide a watershed. Trimming off the shingles may be necessary around the cone of the flashing for a better fit. On existing roof application, lower a chimney length into the flashing opening and twist lock in place and secure with a Locking Band. Ensure that the chimney is level and plumb before nailing the flashing to the roof.

Nail the flashing to the roof deck (also under the shingles) along the upper edge and down each sides with 12 nails with neoprene washers or cover the heads with a suitable non hardening waterproof caulking. Seal the shingles to the plate in the same manner. As a precaution, apply a bead of caulking along all seams of the flashing as per Figure 21.

Apply a non-hardening high temperature silicone caulking just above the top of the flashing cone where it meets the chimney casing. Slide the Storm Collar through the applied caulking and place into its final position to ensure a waterproof joint. Apply additional caulking above the Storm Collar as required.

The Flashing and Storm Collar may be painted to match the roof shingles. This will extend its life and improve the appearance. The chimney may be painted also with a HEAT RESISTANT paint. To improve adhesion to the chimney, degrease, clean and prime before painting. Follow the paint manufacturer's instructions.

Continue adding chimney lengths until the proper height is achieved (see Figure 1 and Chart 2). Install a Round Top. The Round Top prevents entry of moisture which might lead to premature deterioration of the chimney.

On metal or steep roofs, it is recommended that an ice deflector or "cricket" fabricated from heavy-gauge galvanized steel be installed. The wedge-shaped deflector is installed 2" from the chimney on the upper slope. Its function is to split ice and snow as they slide down the roof, preventing damage to the chimney. This is not a supplied item. Contact your dealer or a sheet metal fabrication shop in your area for your custom ice deflector. This also should be painted with a suitable metal paint by following the paint manufacturer's instructions.

UNIVERSAL ROOF BRACE KIT

If the chimney extends 5 feet (1.5m) or more above the roof deck, a Universal Roof Brace Kit is required. The Universal Roof Brace Kit contains 2 telescopic legs, brackets, band strap and hardware package. The band strap is wrapped around the chimney and the two telescopic legs bolted to the roof brackets.

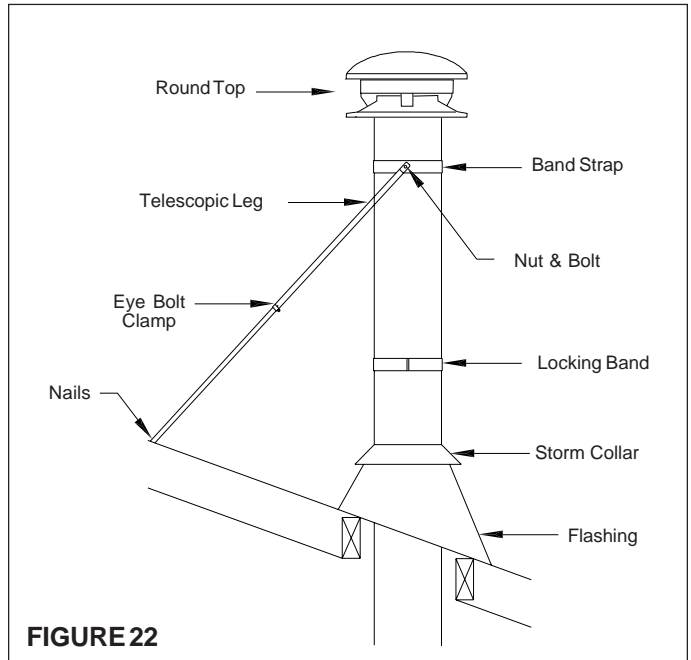


FIGURE 22

Two (2) pockets must be formed to attach the telescopic legs (use Figure 23 and the Selection Chart below as guide).

Tab "A" is formed at one end by bending the strapping band (clearing the first hole). The number of holes counted away from Tab "A" (including the first hole) will identify the location of the first pocket. Attach at this location the "U" bracket by inserting a bolt through and securing with the supplied nut.

To form Tab "B" count the holes away from the "U" bracket. At this location a bolt is inserted into the holes creating the other pocket.

Fasten the larger diameter section of the telescopic leg to the "U" bracket using the bolt and nut.

Hole/Tab Selection Chart		
UT/ST Inside Diameter	# Holes from "Tab A" for the "U" Bracket	# holes from "U" Bracket to bolt hole in tab "B"
5"	4	18
6"	4	21
7"	5	23
8"	5	27

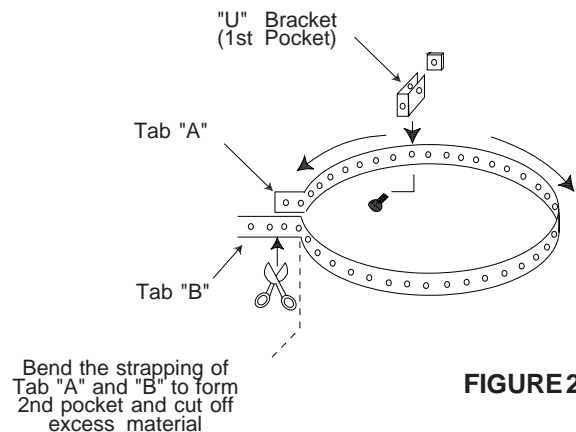
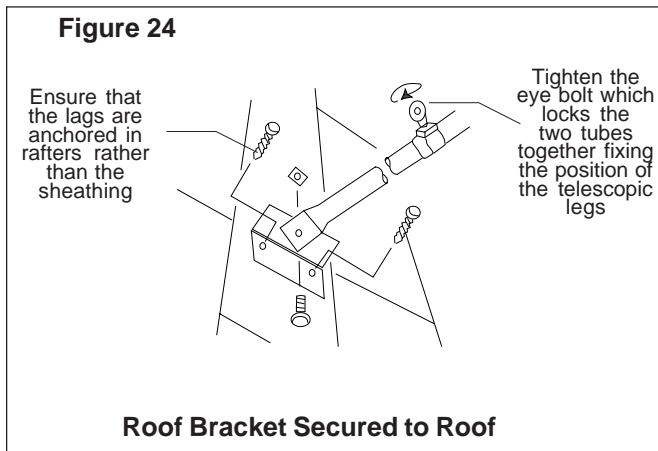


FIGURE 23

The band is clamped around the chimney and the two legs bolted to the roof. Position the band approximately two thirds of the way up the chimney height. The preferred location for the band is next to a joint, immediately above or below a locking band and fasten the other telescopic leg to Tab "A" and Tab "B" using the bolt and nut provided.

Secure the bottom end of each telescopic legs to the roof brackets and the roof brackets to the roof with supplied hardware as shown in Figure 24. The two legs of the brace assembly should form an angle of about 60 degrees to give support to the chimney in all directions. Keep bottom ends equal distance from the chimney and at approx. at the same elevation, on the high side of the sloped roof. Ensure that the lags are anchored in rafters and not just the roof deck. Seal the roof with a suitable non-hardening waterproof sealant. After the legs are attached securely to the roof brackets and to the band, tighten the eye bolt which locks the two tubes together fixing the position of the telescopic legs.



TYPE HT ROUND TOP

Attach the Type HT Round Top to the chimney by sliding it over the chimney length. ensure that the three (3) vertical tabs are located on the outside of the chimney length and that the Round Top sits flush on the top surface of the length. Wrap the band snug to the bottom of the 3 tabs and secure in place with the supplied nut and bolt.

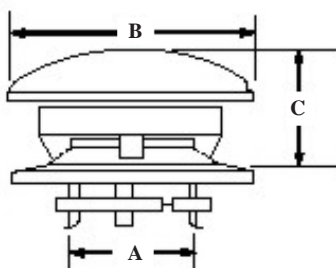


FIGURE 25

Chimney Dia.	A	B	C
5"	7"	10"	5"
6"	8"	12"	5-1/2"
7"	9"	14"	6-1/4"
8"	10"	16"	7"

SPARK ARRESTER

Use a spark arrester if you have a shingle roof or live in a forested area. If the chimney is used for venting a gas appliance, use a spark arrester to keep birds out.

The Spark Arrester is made of flexible expanded metal mesh. Each size is cut to fit the appropriate size Round Top.

Wearing safety gloves, fit the bolt with one nut and place the mesh between the dome and the skirt of the round top. It should be midway between the inner wind band and the outer edges. Do not place the screen directly against the wind band.

Once the Screen is wrapped around the band, secure it in place with the 2nd bolt and nut.

STOVE PIPE ADAPTER:

Connect only to low heat (liquid fuel or gas fired) appliances with continuous flue gas temperatures below 540° C (1000° F). When installing a factory-built fireplace refer to the fireplace installation instructions for the proper chimney requirements.

To comply with the National Building Code of Canada the single wall base tee can be installed with a 229mm (9") minimum air-space clearance between connecting single wall material and combustible products provided that the flue gas temperature does not exceed 400° C (750° F) (most oil fired appliances). Otherwise, the minimum air space clearance must be 450mm (18"). Refer to the appliance installation instructions for the proper chimney requirements.

The connection of a single wall base tee or single wall flue pipe or double wall flue pipe to the insulated chimney must be secured with the screws supplied in the Support carton. The use of a stove pipe adapter is recommended with the first length, this will provide a positive connection between the insulated chimney and the appliance connector. The Stove Pipe Adapter is inserted into the female end of the first insulated chimney length and extends beyond the ceiling support approximately 32mm (1-1/4"). For a Cathedral Support and Wall Support application, the stove pipe adapter is inserted into the female end of the exposed chimney length and extend into the room and held in place with the finishing collar secured with 4 screws which is used to attach the stove pipe adapter to the finishing collar.

Install inter-connecting flue pipe following the appliance manufacturer's instructions, and appropriate building code requirements keeping in mind that the flue pipe run should be as short and straight as possible. All joints should be secured in place with three (3) sheet metal screws.

Besides following the appliance instructions for flue pipe, other rules that should be taken into account:

1. Never enclose single wall flue pipe, even at 18 inches clearance.
2. Never run it through ceilings or floors, or windows.
3. Don't use single wall flue pipe outdoors.
4. Always secure all single wall flue pipe joints with a minimum of 3 screws.
5. Obtain proper attachment parts for the appliance end and for the entry to the chimney.
6. Locate or support the flue pipe to avoid contact of damage.
7. Caps or plugs for single wall tees should be secured against falling out and designed so they can't leak creosote or rain.

MODEL UT ANCHOR PLATE

The Anchor Plate can be used for adapting the UT chimney to a "Listed" Factory-Built Fireplace certified for use with Model UT. Follow the installation instructions accompanying the fireplace. NOTE: It is of utmost importance that the Anchor Plate be installed in accordance with the manufacturers installation instructions accompanying the "listed" Factory-Built Fireplace.

CHIMNEY OPERATION AND MAINTENANCE:

The need for chimney maintenance depends on the kind of appliance and how it is operated. Gas and oil-burning appliances need very little, but wood-burning appliances may need a great deal of chimney maintenance.

IMPORTANT

Burning wood produces creosote, soot, and fly ash which tend to collect in chimney flue and on termination parts causing reduced flow of gases through the chimney. Check top weekly for excessive accumulation of these normal combustion products and clean as necessary. If the spark arrester becomes clogged with creosote, it should be cleaned or replaced.

With a new chimney installation, the chimney should be inspected at least once every 2 weeks during the heating season to determine if a creosote or soot buildup has occurred. When familiar with the appliance and chimney characteristics, the chimney should be inspected at least once every 2 months during the heating season.

If creosote or soot has accumulated, it should be removed to reduce the risk of a chimney fire. Depending on the rate of buildup, as you learn what is going on in the chimney, you can adjust your cleaning schedule.

If you have any doubts about your ability to clean the chimney, or if the deposits are very heavy and hard to remove, call a certified chimney sweep. Do not try to burn them off.

If chemical cleaner is used to assist in cleaning your chimney, make sure it is a product which is non corrosive to the chimney liner. The optimal method for cleaning a chimney is by a mechanical brushing of the chimney in conjunction with a complete evaluation of the system by a certified chimney sweep. The National Fire Code of Canada states: "Every chimney flue and flue pipe shall be inspected and cleaned annually or as often as maybe necessary, to keep the chimney and flue pipe free from dangerous accumulations of combustible deposits".

CHIMNEY FIRES AND WHAT TO DO ABOUT THEM:

Your Selkirk chimney is not intended or designed for use as a combustion or fire chamber. If the fire in your appliance has gotten out of control, or if you suspect a chimney fire for any reason, follow these steps:

1. Immediately close all dampers and/or air entrance to your appliance.
2. Alert your family to the possible danger.
3. Inspect your appliance and chimney for possible fires, if in doubt, alert your Fire Department.
4. Do not use salt or water on the fire. Salt is corrosive and water will cause a dangerous steam explosion. You may be able to control the fire by using ashes, sand or baking soda, since baking soda is an ingredient used for dry chemical fire extinguishers.
5. Do not continue to use your appliance until it and your chimney have been thoroughly inspected by a certified service technician.
6. After a chimney fire, when it is safe to do so, check internal locations such as the attic and under the roof and keep watching for two or three hours. There may be delayed smoldering and subsequent ignition even if the fire inside the chimney has been controlled.

SELKIRK CANADA CORPORATION

1400 CALIFORNIA AVENUE
BROCKVILLE, ON K6V 5V3

Tel: 1-800-267-8178

Fax: 1-800-663-3620

info@selkirkcanada.com

www.selkirkcanada.com



OFFSET CHART CHIMNEY INSTALLATION

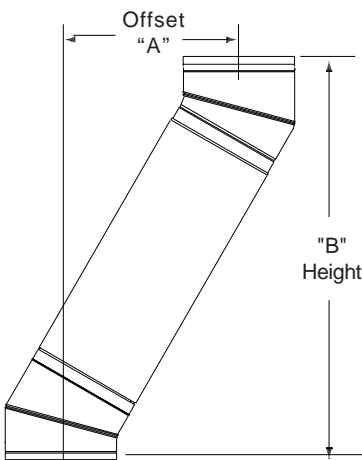
It may be necessary to offset the chimney in order to clear a joist or an obstacle. The three (3) charts below will assist you in selecting the proper combination of elbow angle and chimney length(s) that will provide the necessary degree of offset within an available height.

1. Select the column with the proper chimney diameter of your system.

2. Determine the distance of the offset required by dropping a plumb line for an accurate measurement. The offset is measured at the chimney centre line as per the "A" Offset measurement in the diagram below.

3. On the chart, find the predetermined distance (under the "A" column) required for the 15° elbow. For greater offset, use the 30° or 45° offset charts.

4. After finding the offset, look at the "B" (height) measurement in the chart to find the specified height. The appropriate "chimney lengths" required in between elbows is found in the left hand side column on the chart.



NOTE:

- UltraTemp chimney can be offsetted using 15°, 30° or 45° elbows. Combining offsets for a greater angle is not permitted.
- One pair of (two) 15°, 30° or 45° elbows may be used per interior installation.
- Never install an elbow in a joist area. Chimney sections must pass vertically through framed joist areas.
- Each elbow support will support 30 feet of chimney.
- An intermediate support must be used at 4 feet intervals in conjunction with an elbow support.
- The maximum length of chimney allowed between elbows is 16 feet.

All measurements in inches.
Construction tolerances ± one inch.

15° OFFSET CHART								
Chimney Lengths	5" Diameter		6" Diameter		7" Diameter		8" Diameter	
	A	B	A	B	A	B	A	B
none	5/8"	7-1/2"	5/8"	7-1/2"	5/8"	8"	3-1/8"	8-1/8"
6"	1-3/4"	13-3/8"	1-5/8"	12-1/2"	1-7/8"	13-5/8"	2"	14-1/4"
12"	2-3/4"	17-7/8"	2-7/8"	18-1/8"	3"	18-1/2"	3"	18-3/4"
18"	4-1/8"	23-7/8"	4-3/8"	24"	4-1/8"	24-3/8"	4"	24-5/8"
24"	N/A	N/A	5-3/8"	29-3/4"	5"	30-1/2"	5-1/4"	30-3/8"
12" + 18"	6-3/8"	34-1/8"	6-3/8"	34-1/8"	6"	34-7/8"	6-1/4"	35"
36"	8-3/8"	41-5/8"	8-1/8"	41-1/4"	7-1/2"	42"	8"	42"
12" + 36"	11-1/4"	52"	10-5/8"	52"	9-7/8"	52-1/2"	10-1/8"	52-5/8"
18" + 36"	13"	57-3/4"	12-1/8"	57-5/8"	11"	58-1/2"	11-7/8"	58-1/2"
12"+18" 36"	16-1/8"	68"	14-3/8"	68"	13-3/8"	68-3/4"	15-1/8"	68-3/4"
48"	N/A	N/A	10-3/4"	53-1/4"	10"	53-1/2"	10-1/8"	54-3/8"

30° OFFSET CHART								
Chimney Lengths	5" Diameter		6" Diameter		7" Diameter		8" Diameter	
	A	B	A	B	A	B	A	B
none	3-5/8"	13-3/4"	3"	13-1/4"	4-1/8"	15-1/4"	4-1/4"	16-1/8"
6"	6-1/8"	18-7/8"	5-1/4"	17-5/8"	7-1/8"	20-1/8"	7-1/8"	21-3/4"
12"	8-1/2"	22-3/4"	8-1/8"	22-7/8"	9-5/8"	24-1/4"	9-1/2"	25-3/8"
18"	11-5/8"	28"	11-1/8"	27-7/8"	12-1/2"	29-3/8"	12-1/2"	30-5/8"
24"	N/A	N/A	13-3/4"	33-1/4"	15-3/4"	34-7/8"	15-1/2"	35-7/8"
12" + 18"	16-5/8"	37-1/2"	16-1/8"	37-1/2"	18"	39"	18-1/4"	39-1/2"
36"	20-7/8"	44"	20-1/4"	43-3/4"	21-5/8"	45-1/4"	21-7/8"	46"
12" + 36"	25-1/2"	53-1/2"	24-7/8"	53-3/8"	27-1/2"	54-1/8"	27-1/8"	55-3/8"
18" + 36"	28-3/8"	58-7/8"	28-3/8"	58-3/8"	30-1/2"	59-1/8"	30-1/2"	60-1/2"
12"+18"+36"	33-1/4"	68-3/8"	32-5/8"	68-1/2"	35-3/4"	68-1/2"	36-1/8"	69-5/8"
48"	N/A	N/A	26"	54"	27-1/2"	55-3/8"	28-1/2"	56-5/8"

45° OFFSET CHART								
Chimney Lengths	5" Diameter		6" Diameter		7" Diameter		8" Diameter	
	A	B	A	B	A	B	A	B
none	N/A	N/A	4-3/8"	12"	5-1/2"	14"	5-3/4"	15-1/8"
6"	N/A	N/A	7-3/4"	15-5/8"	9-3/4"	18"	9-1/2"	19-1/4"
12"	N/A	N/A	11-7/8"	19-3/4"	13"	21-3/4"	13"	22-1/2"
18"	N/A	N/A	16"	23-7/8"	17-1/4"	25-3/8"	17"	27"
24"	N/A	N/A	20-1/2"	27-3/4"	21-3/4"	29-7/8"	21-5/8"	31"
12" + 18"	N/A	N/A	23-7/8"	31-3/8"	25-5/8"	32-3/4"	24-5/8"	34-1/2"
36"	N/A	N/A	28-1/2"	36-7/8"	30-5/8"	38-1/8"	29-5/8"	39-7/8"
12" + 36"	N/A	N/A	36-1/4"	44-3/8"	38-1/8"	45-1/8"	38-1/8"	47"
18" + 36"	N/A	N/A	40-1/8"	49-1/4"	42-3/4"	49-1/4"	41-7/8"	51-1/2"
12"+18"+36"	N/A	N/A	47-7/8"	56-1/2"	50-1/2"	57-3/8"	49"	59-3/8"
48"	N/A	N/A	41-1/2"	45-5/8"	38-1/4"	46-1/2"	38-1/2"	48-7/8"

CHART 2 - CHIMNEY HEIGHT ABOVE THE ROOF

Requirement # 1 : *The code requires that the chimney must extend at least 3 feet (900mm) above the highest point of the roof that it penetrates.*

Requirement # 2 : *It must also be 2 feet (609mm) above any roof, wall or other obstruction within a horizontal distance of 10 feet (3m).*

The following Chart is to assist you in determining the minimum chimney height you will require above the roof. You may need to add to this height as nearby buildings, trees and other parts of the house roof could interfere with airflow over and around the top of the chimney and affect its performance. If you think a nearby obstacle could affect draft, you might want to install one or more additional lengths.

DISTANCE FROM PEAK	PITCH OF ROOF											
	1/12	2/12	3/12	4/12	5/12	6/12	7/12	8/12	9/12	10/12	11/12	12/12
	CHIMNEY HEIGHT ABOVE ROOF (INCHES)											
10 Ft	*36	44	54	64	74	84	94	104	114	124	134	144
9 Ft	*36	42	51	60	69	78	87	96	105	114	123	132
8 Ft	*36	40	48	56	64	72	80	88	96	104	112	120
7 Ft	*36	38	45	52	59	66	73	80	87	94	101	108
6 Ft	*36	36	42	48	54	60	66	72	78	84	90	96
5 Ft	*36	*36	39	44	49	54	59	64	69	74	79	84
4 Ft	*36	*36	36	40	44	48	52	56	60	64	68	72
3 Ft	*36	*36	*36	36	39	42	45	48	51	54	57	60
2 Ft	*36	*36	*36	*36	*36	36	38	40	42	44	46	48
1 Ft	*36	*36	*36	*36	*36	*36	*36	*36	*36	*36	*36	36

All measurements are in inches with the exception of "distance from the peak" being in feet.

*** Defaulted to 36" to meet requirement #1. Both requirements (#1 and #2) must be met.**

- If the chimney extends more than 5 feet or more above the roof, a Universal Roof Brace Kit is required.
- All lengths above the roof must have locking bands at all joints. This will eliminate the risk of sections becoming undone below the roof line when the Round Top is removed when inspections and cleaning of the system is being done.

REPLACEMENT PARTS LIST

DESCRIPTION	ULTRATEMP PARTNO.	DESCRIPTION	ULTRATEMP PARTNO.
36" Chimney Length	*UT-36	Insulated Wall Thimble	*T-IWT
24" Chimney Length	*UT-24	Wall Band	*T-WB
18" Chimney Length	*UT-18	Universal Roof Brace Kit	URBK
12" Chimney Length	*UT-12	Anchor Plate	*T-AP
6" Chimney Length	*UT-06	Attic Insulation Shield	*T-AIS
Tee with Insulated Plug	*T-ITP	Firestop Joist Shield	*T-JS
15° Elbow Kit	*T-EL15KIT	Firestop Spacer	*T-FS
30° Elbow Kit	*TEL30KIT	Type HT Round Top	*T-RT
Ceiling Support	*T-CSB	Flat Roof Flashing	*T-FF
Adjustable Wall Support	*T-AWS	1/12 - 7/12 Roof Flashing	*T-FA
Cathedral Ceiling Support Kit	*T-CCSK	8/12 - 12/12 Roof Flashing	*T-FAA
Roof Support	URSP	Storm Collar	*T-SC
Locking Band	*T-LB		
Stove Pipe Adapter	*T-AD		

* Specify chimney diameter (5, 6, 7 & 8 inches)

LIMITED LIFETIME WARRANTY

Selkirk Chimney & Venting Products

Selkirk Canada Corporation, ("Selkirk", "we", "us", "our") warrants Selkirk products* to be free from defects in material and workmanship for as long as the original consumer owns the system. For products installed after January 1, 2000, for a period of Ten (10) years from original installation, we will provide replacement product with a similar or like quality of available Selkirk product, **free of charge** excluding any installation costs. From the Eleventh (11) through Fifteenth (15) years we will provide replacement product to the original consumer at a cost of 75% off the published Retail Price in effect on the date the claim is received excluding any installation costs. At expiration of the Fifteen (15) year term, we will provide replacement product to the original consumer at a cost of 50% off the published Retail Price in effect on the date the claim is received excluding any installation costs.

LIMITATIONS:

- Products must be installed for their intended purpose and in accordance with current Selkirk installation instructions.
- Products must be connected to an appliance listed with an accredited testing laboratory.

WARNING: FAILURE TO INSTALL SELKIRK PRODUCTS ACCORDING TO THE MANUFACTURER'S INSTRUCTIONS WILL VOID ALL APPLICABLE WARRANTIES AND MAY RESULT IN FIRE, CARBON MONOXIDE POISONING OR DEATH. SEE OUR SELKIRK INSTALLATION INSTRUCTIONS FOR COMPLETE INSTALLATION PROCEDURES.

WARRANTY COVERAGE:

This warranty covers any substantial defects in material and workmanship in normal use that are found to exist in any of the insulated chimney sections or component parts of your chimney with the exception stated below.

THIS WARRANTY DOES NOT COVER:

- (a) any non-stainless base tee unit mounted or connected to an Insulated Chimney system;
- (b) **costs (labor or otherwise **) associated with either removing a previously installed product, installing a replacement product, transportation or return of a product, or transportation of replacement product;**
- (c) damage to the finish of products caused by the use of improper solvents/chemicals or improper cleaning methods;
- (d) damage resulting from failure to reasonably clean, care for or maintain products in accordance with our installation instructions/recommendations;
- (e) damage (to products, appliances or structure on

- or resulting from improper installation or repair, misuse or abuse (including, but not limited to, excessive or improper operating condition), or alteration or adjustment other than in conformity with our installation instructions and specifications, whether performed by a contractor, service company, technician, or yourself;
- (f) any products that have been moved from their original installation site.
- (g) damage caused by burning driftwood, garbage, or any other prohibitive material which has been burned in the appliance served by the chimney
- (h) damage that results from accidents such as fire, flood, high winds, "acts of God", or any other contingency beyond our control.

**** Due to the wide variance in installation practices and other conditions beyond our control, we do not guarantee or in any way warrant the installation of Chimney and Venting products.**

CLAIM PROCEDURE:

If you believe that a product is defective, notify us in writing at the following location:

SELKIRK CANADA CORPORATION
P.O. Box 526, Depot 1,
Hamilton, Ontario, Canada , L8L 7X6
ATTN: WARRANTY CLAIMS DEPARTMENT
905-662-6600, 800-263-9308, Fax: 905-662-5352
www.selkirkcanada.com

Notification should include a description of the product, model and serial number (if applicable) and a description of the product defect. Upon receipt of a written claim under this limited warranty and evidence of the date of purchase or installation, at our option and in our sole discretion, we will provide replacement product with similar or like quality of available Selkirk product excluding any installation costs. Selkirk Canada Corporation reserves the right to inspect or investigate any warranty claims prior to determining whether to provide replacement product. If, as determined by Selkirk Canada Corporation, repair or replacement of the product is not commercially practicable or cannot be completed in a timely manner, we may refund the purchase price paid for the product, prorated to the terms of this warranty, upon verification by providing a copy of your invoice or receipt of bill of sale.



INSTALLATION INFORMATION

Keep in a safe place for future reference

CHIMNEY MODEL: _____

TYPE OF APPLIANCE: _____

INSTALLATION DATE: _____

DESCRIPTION OF INSTALLATION (Chimney and Pipe Connector Configuration) _____

PURCHASED FROM:

DEALER NAME: _____

Address: _____

City: _____

Province: _____

INSTALLED BY:

TECHNICIAN NAME: _____

Address: _____

City: _____

Province: _____

PRODUCT REGISTRATION

Please register your Chimney with the Manufacturer.

Mail to: Selkirk Canada Corporation,
Product Registration, P.O. Box 256, Depot 1, Hamilton, ON L8L 7X6

Register Online @: www.selkirkcanada.com

Name: _____

Address: _____

City: _____

Province: _____ Postal Code: _____

Chimney Model: _____ Installation Date: _____

Technician Name: _____ Address: _____