



**SIMPSON**  
**Dura-Vent**

### Applications

DuraPlus Chimney is a triple-wall, all-fuel chimney for use with wood stoves, fireplaces, furnaces, boilers, stoves, ranges, water heaters, or other appliances fueled by wood, oil, coal, or gas.

### Materials and Construction

.016" 430 stainless steel outer wall or .018" galvanized steel outer wall. .018" aluminized steel intermediate liner. .016" 430 stainless steel inner liner. Insulated layers of ceramic blanket plus ventilated air space. Locks tightly with a precision twist-lock connection.

### Clearances

2" clearance to combustibles.

### Diameters

6", 7", and 8".

### Listings

UL Listed to UL 103HT (MH7399).



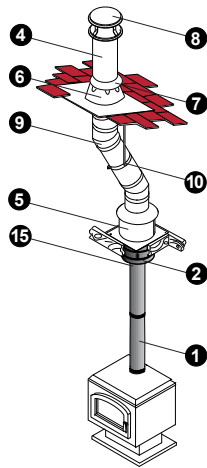
### UL 103 HT System

#### DuraPlus

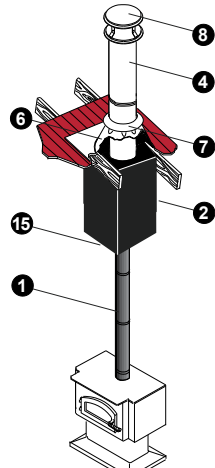
DuraPlus is designed to stay cool on the outside, to provide a hot draft on the inside, to boost stove efficiency, and to provide for a fire-safe design that protects both the chimney and the building. This triple-wall chimney features two insulating layers (ceramic blanket, plus air space). The ceramic blanket insulation is held securely in position, eliminating hot spots common with loose-fill type insulations. In the event of a creosote fire, the compressible blanket insulation permits the chimney liner to expand outwardly in a radial direction.



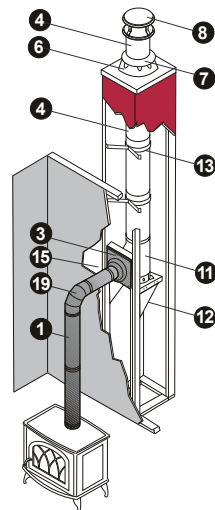
## Typical Installations



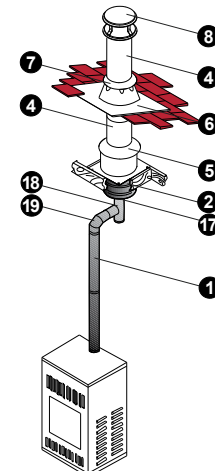
Attic Offset



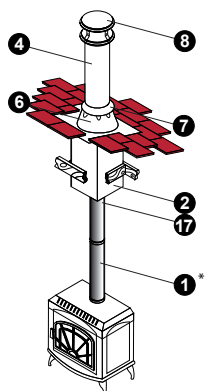
Cathedral Ceiling Roof Support



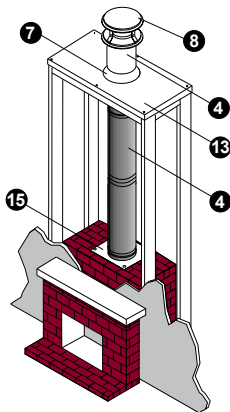
Through-the-Wall



Oil Furnace



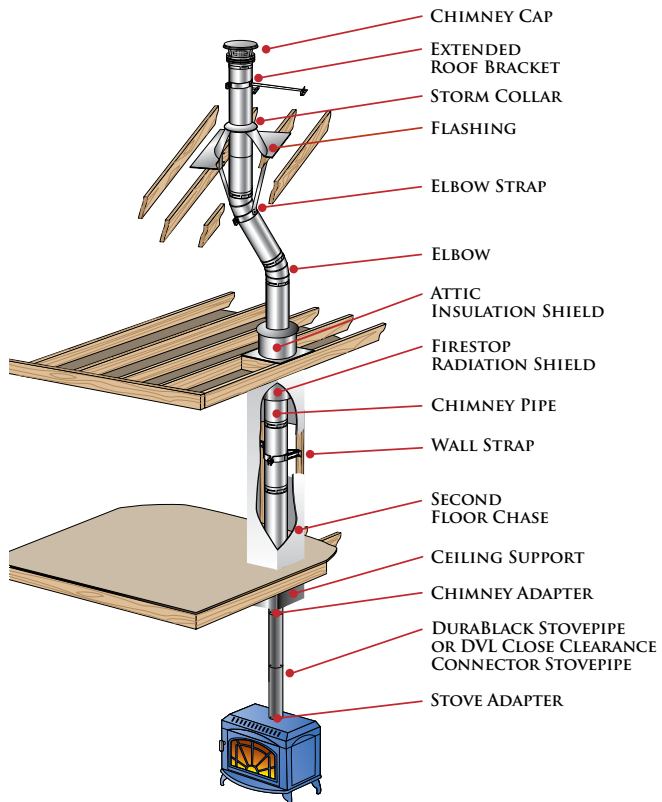
Manufactured Home  
\*DVL stovepipe required for this installation



Fireplace  
(New or retrofit)

Installation Key			
1	DVL or DuraBlack Stovepipe	1	Tee Support Bracket
2	Ceiling Support Box	13	Wall Strap
3	Wall Thimble	14	Firestop Radiation Shield
4	DuraPlus Chimney	15	Snap-Lock Adapter, DVL/DuraBlack Chimney Adapter, DuraBlack Slip Connector
5	Attic Insulation Shield	16	Extended Roof Bracket
6	Roof Flashing	17	DVL or DuraBlack Chimney Adapter
7	Storm Collar	18	DVL or DuraBlack Tee
8	Chimney Cap	19	DVL or DuraBlack Elbow
9	Elbow	20	Chase Top Flashing
10	Elbow Strap	21	Anchor Plate
11	Tee with Cap		

- Refer to our Typical Venting Installation drawings to select the appropriate component parts for your installation.
- A DVL/DuraBlack Chimney Adapter or DuraBlack Slip Connector must be used when connecting DVL or DuraBlack stovepipe to a Ceiling Support, Wall Thimble, or Finishing Collar. A Snap-Lock Adapter must be used when attaching snap-lock stovepipe to DuraPlus.
- A Wall Thimble must be installed with an appropriate section of chimney pipe for all horizontal through-the-wall installations. To accommodate thicker walls a wall thimble extension can be field fabricated.
- An Attic Insulation Shield must be used in all installations that pass through an attic, regardless of whether the attic is insulated or not. If chimney is enclosed in a chase in the attic space, an Attic Insulation Shield is not required.
- A Firestop Radiation Shield must be used when a chimney passes through a floor or ceiling without a Ceiling Support Box.



## Planning Your Installation

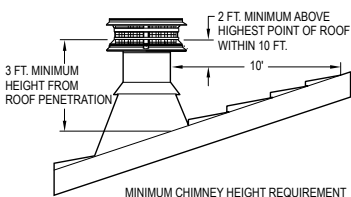


Figure 1

The following recommendations are intended as a general guideline to assist in the layout and selection of the chimney components needed for your installation. Always read and follow Simpson Dura-Vent Installation instructions before installing your chimney system (enclosed with the cap or support box). Installation instructions can be viewed online at [www.duravent.com](http://www.duravent.com), under catalogs and instructions.

- The diameter of the chimney should match the outlet size of the appliance. An improperly sized chimney results in poor draft and excessive creosote formation.
- Measure the diameter of the appliance flue outlet. Select the chimney and either DVL or DuraBlack connector stovepipe with the same size diameter as the appliance flue outlet. For fireplace installations, refer to the sizing chart in the back of the DuraTech section of this catalog.
- Determine if the installation is a through-the-roof installation or a through-the-wall installation. A through-the-wall installation will require additional components (Wall Thimble, Tee w/ Cap, Tee Support, and Wall Straps).
- Install the chimney in the interior of the structure whenever possible. A cold exterior chimney will produce less draft and will generate more creosote.
- If possible, avoid offsets that serve to restrict the natural draft. A straight vertical installation is more efficient and less likely to develop creosote. If an offset is required to avoid rafters or other obstructions, measure the horizontal distance required and the vertical height available. Both 15° and 30° elbows are available. Elbows greater than 30° are not allowed in the United States. A maximum of two offsets in a single installation are permitted. Refer to the offset table in the back of this catalog. At least one Elbow Strap is required for each offset. Elbow Straps ensure adequate support.
- Determine the minimum chimney height above the roof line. Building codes require a minimum of 3' above the roof penetration and at least 2' higher than any portion of a building within 10'. See figure 1. The termination cap is installed above that point. If chimney is more than 4' above the roof penetration an Extended Roof Bracket is required.
- Measure the roof pitch. For example, a 6/12 pitch has a vertical rise of 6" over a horizontal distance of 12". Select the appropriate flashing.
- Determine the total length of chimney and stovepipe required for the installation. To calculate the installed per length of 6"-8" DuraPlus chimney pipe, subtract 1 1/2" per joint. Subtract 1 1/4" per joint of DuraBlack stovepipe. Subtract 1 1/2" per joint of DVL stovepipe. Minimum chimney height, at sea level of straight vertical chimney is 10' to 15' above the appliance outlet. Higher elevations, or the use of elbows or a tee, will require approximately 30% to 60% more height to provide for an adequate draft.
- Be fire safe. Maintain at least 2" clearance to combustibles. Follow local building codes and have your chimney inspected by a certified professional.

### DuraPlus Basic Kit



Kit includes: DVL/DuraBlack Chimney Adapter, Snap-Lock Adapter, 11" Square Ceiling Support Box with Trim, Adjustable Flashing 0/12-6/12, Chimney Cap, Storm Collar, and Attic Insulation Shield. Only available in 6" diameter. Pipe not included. Can be used for cathedral ceiling installations.

Use for typical through-the-roof installations.

SIZE	6"
STOCK #	9085

### DuraPlus Manufactured Home Kit



Kit includes: DVL/DuraBlack Adapter, 24" Square Ceiling Support Box with Trim, Adjustable Flashing 0/12-6/12, Chimney Cap, Storm Collar, and (2) 24" DuraPlus Chimney Pipe (galvanized). Only available in 6" diameter. Can be used for cathedral ceiling installations.

Use for manufactured home through-the-roof installations.

SIZE	6"
STOCK #	9086

### DuraPlus Through-The-Wall Kit



Kit includes: DVL/DuraBlack Chimney Adapter, Snap-Lock Adapter, 9" DuraPlus Chimney Pipe (galvanized), Wall Thimble, Tee w/ Cap, (2) Adjustable Wall Strap, Tee Support Bracket, and Chimney Cap. Only available in 6" diameter.

Use for through-the-wall installations.

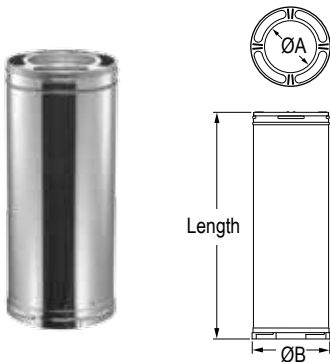
SIZE	6"
STOCK #	9088



## Pipe Selection Chart

Installed Chimney Height	Chimney Sections Used				Installed Chimney Height	Chimney Sections Used			
	6"	12"	24"	36"		6"	12"	24"	36"
6"	1				14'-10 1/2"	1			5
1'		1			15'-4 1/2"		1		5
2'			1		16'-4 1/2"			1	5
3'				1	17'-4 1/2"				6
3'-4 1/2"	1			1	17'-9"	1			6
3'-10 1/2"		1		1	18'-3"		1		6
4'-10 1/2"			1	1	19'-3"			1	6
5'-10 1/2"				2	20'-3"				7
6'-3"	1			2	20'-7 1/2"	1			7
6'-9"		1		2	21'-1 1/2"		1		7
7'-9"			1	2	22'-1 1/2"			1	7
8'-9"				3	23'-1 1/2"				8
9'-1 1/2"	1			3	23'-6"	1			8
9'-7 1/2"		1		3	24'		1		8
10'-7 1/2"			1	3	25'			1	8
11'-7 1/2"				4	26'				9
12'	1			4	26'-4 1/2"	1			9
12'-6"		1		4	26'-10 1/2"		1		9
13'-6"			1	4	27'-10 1/2"			1	9
14'-6"				5	28'-10 1/2"				10

## Chimney Pipe

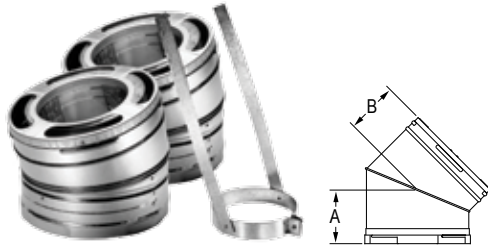


Designed for appliances tested and listed for use with wood stoves, fireplaces, furnaces, boilers, stoves, ranges, water heaters, or other appliances fueled by wood, oil, coal, or gas. 6", 9", and 12" chimney pipe has 1" insulation blanket; 24", 36" chimney pipe has 1/2" insulation. To calculate the installed length of DuraPlus chimney pipe, subtract 1 1/2" from each length of chimney pipe.

Additional protective carton foam for shipping is available, items have stock numbers with (CF).

SIZE	6"	7"	8"
A	6"	7"	8"
B	10"	11"	12"
LENGTH			
6"	9006	9106	9206
9"	9019	9119	9219
12"	9014	9114	9214
24"	9021	9121	9221
24"	--	--	9221CF
24"SS	9021SS	9121SS	9221SS
24" SS	--	--	9221SSCF
36"	9017	9117	9217
36"	9017CF	--	9217CF
36" SS	9017SS	9117SS	9217SS
36" SS	9017SSCF	--	9217SSCF

## Elbow Kit

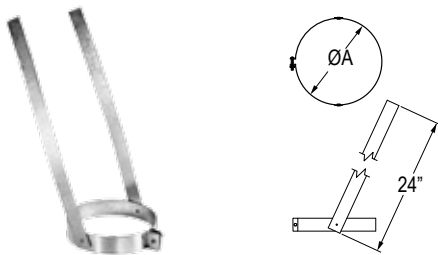


Kit includes: (2) elbows and one Elbow Strap.

Use for offsets around obstructions such as rafters, ridgepoles, or joists. May have two pairs of elbows, if needed. Offsets greater than 30° are not permitted in accordance to UL 103 standards. Elbows swivel 360° at base (angles are not adjustable). A pair of elbows is required to return an offset chimney back to vertical. Available in stainless steel (SSKIT) or galvalume (KIT) outer wall.

15°	STOCK #	A	B
6"	9064KIT	4"	3 3/4"
6"	9064SSKIT	4"	3 3/4"
7"	9164KIT	4 1/4"	4 1/8"
7"	9164SSKIT	4 1/4"	4 1/8"
8"	9264KIT	4 1/4"	4 1/4"
8"	9264SSKIT	4 1/4"	4 1/4"
30°	STOCK #	A	B
6"	9066KIT	4 1/2"	4 3/4"
6"	9066SSKIT	4 1/2"	4 3/4"
7"	9166KIT	4 5/8"	4 3/4"
7"	9166SSKIT	4 5/8"	4 3/4"
8"	9266KIT	5"	4 3/4"
8"	9266SSKIT	5"	4 3/4"

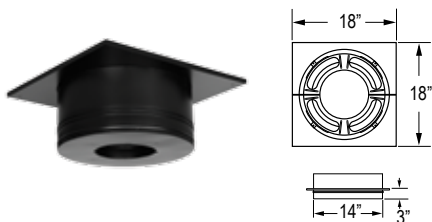
## Elbow Strap



Use to prevent excessive weight on the elbows by supporting the weight of the chimney. Required to be installed between two elbows in offset installations. Multiple elbow straps may be required for offset installations. Refer to installation instructions.

SIZE	6"	7"	8"
A	10"	11"	12"
STOCK #	9060	9160	9260

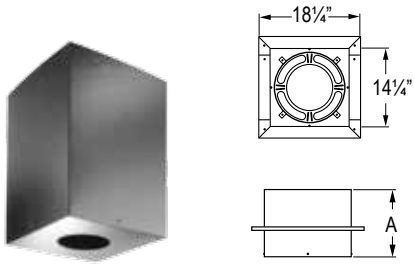
## Round Ceiling Support



Supports chimney pipe and provides a positive connection between support box and chimney with a built-in twist-lock. Supports up to 40' of DuraPlus Chimney. Use adapter to attach DVL or DuraBlack to the support box. Painted black. Trim collar included. (For adapters see DVL/DuraBlack section.)

SIZE	6"	7"	8"
STOCK #	9045N	9145N	9245N

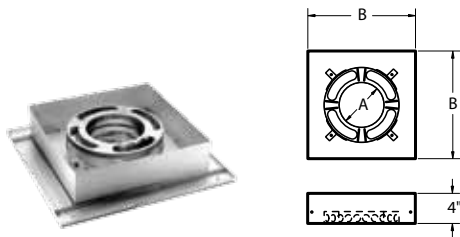
### Square Ceiling Support Box



Use with flat, vaulted, or cathedral ceilings. Square Ceiling Support Box is painted black. Refer to Ceiling Pitch table to determine size of support box needed. Supports up to 40' of DuraPlus Chimney. Starter Section built in. For adapters, see DVL/DuraBlack section.

SIZE	STOCK #	A	CEILING PITCH		
			DURABLACK	DVL	USE
6"	9048AN	11"	0/12 - 4/12	0/12 - 6/12	11" Support box
6"	9048BN	24"			
6"	9048DN	36"	5/12 - 9/12	7/12 - 13/12	24" Support box
7"	9148AN	11"	10/12 - 14/12	14/12 - 20/12	36" Support box
7"	9148BN	24"			
7"	9148DN	36"			
8"	9248AN	11"			
8"	9248BN	24"			
8"	9248DN	36"			

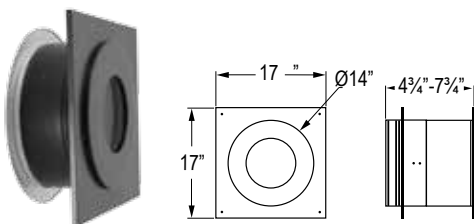
### Flat Ceiling Support Box



Supports chimney pipe and provides a positive connection between support box and chimney with a built-in twist-lock. Designed for installation in flat ceilings only. Supports up to 35' of DuraPlus chimney pipe. Use adapter to attach DVL or DuraBlack to the support box. A 2" wide trim collar is included. Not painted, but can be painted with high temperature paint. For adapters, see DVL/DuraBlack section.

SIZE	STOCK #	A	B
6"	9047N	6 1/4"	14 1/4"
7"	9147N	7 1/4"	14 1/4"
8"	9247N	8 1/4"	14 1/4"

### Wall Thimble

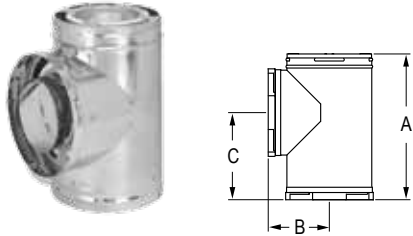


Adjusts from a minimum of 4 3/4" to a maximum of 7 3/4" wall thickness, and fits between standard wall studs. To accommodate thicker walls, the telescoping pieces can be extended up to 16" with a field-fabricated extension installed. Interior trim ring painted black. Must be installed with DuraPlus chimney pipe horizontally through the wall and extend a minimum of 2" into the room beyond the interior wall. For adapters, see DVL/DuraBlack section.

SIZE	STOCK #	WHEN USING A WALL THIMBLE	
		WALL THICKNESS	INSTALL PIPE SECTION
6"	9043N		
6"	9043SS	4 1/2"	6"
7"	9143N	4 1/2" - 5 1/2"	9"
7"	9143SS	5 1/2" - 6 1/2"	12"
8"	9243N	8 1/2" - 13"	(2) 9"
8"	9243SS		



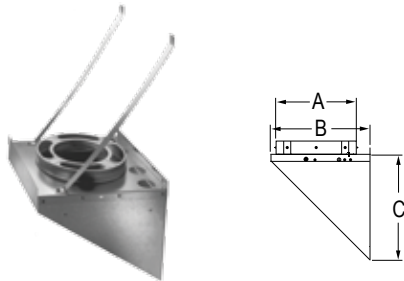
### Tee with Cap



Use for through-the-wall chimney installations. The tee clean-out cap is removable for easy chimney cleaning or inspection. Wall Straps, a Wall Thimble, and a Tee Support must be installed with the Tee as directed. Tees have 1" insulating blanket. Ventilation air for chimney must be drawn from outdoors. (See installation instructions.)

SIZE	STOCK #	A	B	C
6"	9067	13 7/8"	7 1/2"	8 1/4"
6"	9067SS	13 7/8"	7 1/2"	8 1/4"
7"	9167	15 3/8"	8"	8 3/4"
7"	9167SS	15 3/8"	8"	8 3/4"
8"	9267	16"	8 1/2"	9"
8"	9267SS	16"	8 1/2"	9"

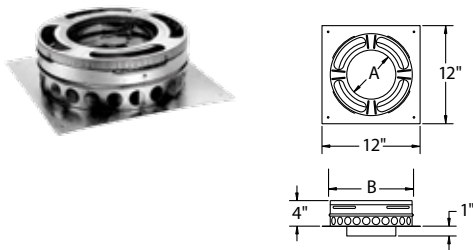
### Tee Support Bracket



Use to support the Tee; suspended from a wall. Supports up to 35' of DuraPlus Chimney. Starter Section built in.

SIZE	STOCK #	A	B	C
6"	9072	10"	14"	12"
6"	9072SS	10"	14"	12"
7"	9172	11"	15"	13"
7"	9172SS	11"	15"	13"
8"	9272	12"	16"	14"
8"	9272SS	12"	16"	14"

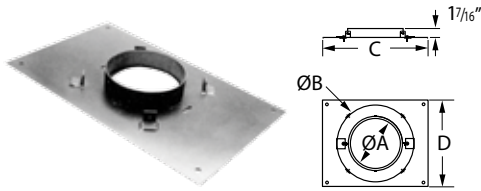
### Base Plate



Use to adapt on a zero-clearance fireplace when using DuraPlus directly off the unit. Starter Section built in.

SIZE	STOCK #	A	B
6"	9001	6"	10"
7"	9101	7"	11"
8"	9201	8"	12"

### Transition Anchor Plate



Use Transition Anchor Plate with DuraPlus when extending or converting from DuraLiner to DuraPlus in chimney restoration. Use with DuraLiner Slip Connector and Hanger. (See DuraLiner section.)

SIZE	STOCK #	A	B	C	D
6"	9040A	6 1/16"	10 3/8"	17"	14"
6"	9040B	6 1/16"	10 3/8"	17"	17"
6"	9040C	6 1/16"	10 3/8"	21"	13"
6"	9040D	6 1/16"	10 3/8"	21"	17"
8"	9240A	8 1/16"	12 3/8"	17"	14"
8"	9240B	8 1/16"	12 3/8"	17"	17"
8"	9240C	8 1/16"	12 3/8"	21"	13"
8"	9240D	8 1/16"	12 3/8"	21"	17"

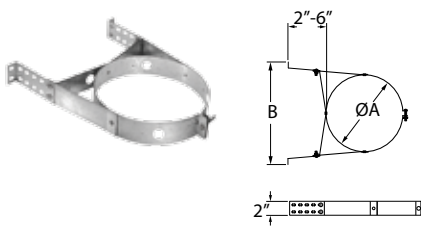
### Starter Section



Use only when converting from DuraLiner to DuraPlus and the DuraPlus Chimney is going to be enclosed in a chase. (See DuraLiner installation instructions.)

SIZE	STOCK #	A	B
6"	9011	6"	10"
8"	9211	8"	12"

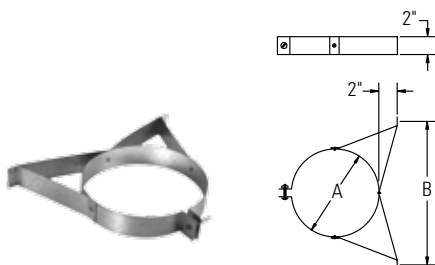
### Adjustable Wall Strap



Use in interior or exterior installations to support and to stabilize the chimney while assuring a 2" clearance. Wall straps are required every 8' on exterior of building. Adjusts 2"-6" from wall.

SIZE	STOCK #	A	B
6"	9069	10"	16 1/8"
7"	9169	11"	17 1/8"
8"	9269	12"	18 1/8"

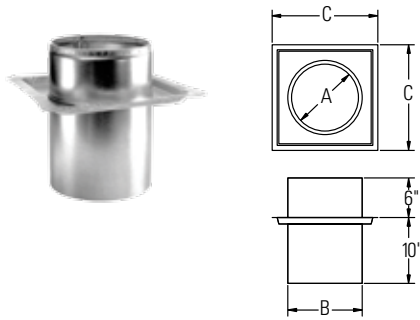
### Wall Strap



Use in interior or exterior installations to support and to stabilize the chimney while assuring a 2" clearance. Wall straps are required every 8' on exterior of building only.

SIZE	STOCK #	A	B
6"	9068	10"	16"
6"	9068SS	10"	16"
7"	9168	11"	16"
7"	9168SS	11"	16"
8"	9268	12"	16"
8"	9268SS	12"	16"

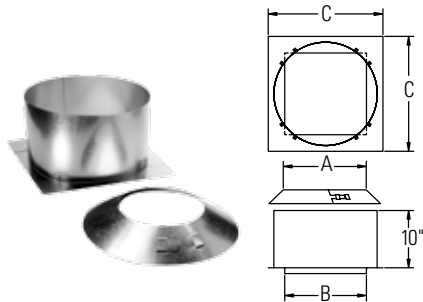
### Firestop Radiation Shield



Use in ceiling/floor penetrations when a ceiling support is not used. Not required when passing through the roof. Fits on underside of ceiling and adjusts to cover framing. See installation instructions for proper placement.

SIZE	STOCK #	A	B	C
6"	9044	10 3/16"	10 7/8"	16 1/2"
7"	9144	11 3/16"	11 7/8"	16 1/2"
8"	9244	12 3/16"	12 7/8"	16 1/2"

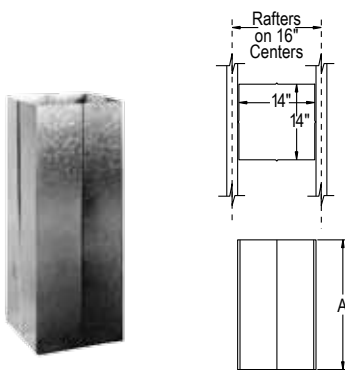
### Attic Insulation Shield



Required for installations that pass through an attic to prevent insulation and debris from accumulating near the chimney. Fits over Firestop Radiation Shield or a support box. Consists of two parts: a collar and a base.

SIZE	STOCK #	A	B	C
6" - 8"	9946	10", 11", 12"	14 1/4"	20"

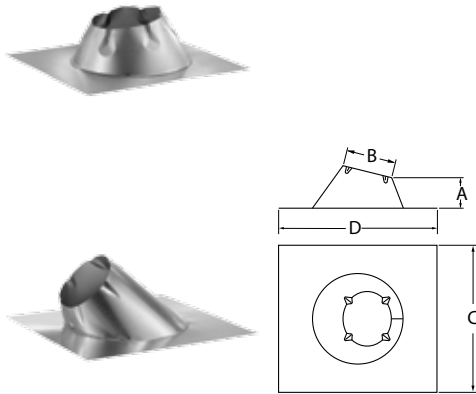
### Close Clearance Shield



Use in installations where a 7" or 8" Simpson Dura-Vent chimney system passes through a roof opening with less than the normal 2" minimum clearance to roof trusses or rafters. Chimney pipe must be centered within Close Clearance Shield. (See installation instructions.)

SIZE	STOCK #	A
6" - 8"	9980A	36"
6" - 8"	9980B	48"
6" - 8"	9980C	60"

## Roof Flashing



Use to weather proof the penetration of chimney pipe through the roof. Storm Collar required. Select roof flashing based on pitch of roof. For example, a 6/12 pitch has a vertical rise of 6" over a horizontal distance of 12". Made of galvalume.

SIZE		6"	7"	8"
FLAT ROOF	A	10 3/4"	10 3/4"	11"
	B	10 1/2"	11 3/4"	12 3/4"
	C	26"	29 1/2"	29 1/2"
	D	26"	29 1/2"	29 1/2"
	STOCK #	9051V	9151V	9251V
0/12-6/12 PITCH	A	6"	6"	6"
	B	10 3/4"	11 3/4"	12 3/4"
	C	26"	26"	26"
	D	28"	28"	28"
	STOCK #	9049V	9149V	9249V
7/12-12/12	STOCK #	9050V	9150V	9250V
13/12-18/12	STOCK #	9081V	9181V	9281V
19/12-24/12	STOCK #	9052V	9152V	9252V

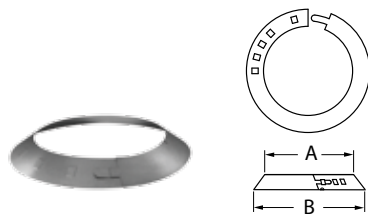
## DSA Roof Flashings



Use with metal or tile roofs. Available in sizes 6" and 8", in 0/12-6/12 (shown) and 7/12-12/12 styles. Made of dead soft aluminum. Refer to Roof Flashing table for dimensions.

SIZE	6"	8"
0/12-6/12	9049DSA	9249DSA
7/12-12/12	9050DSA	9250DSA

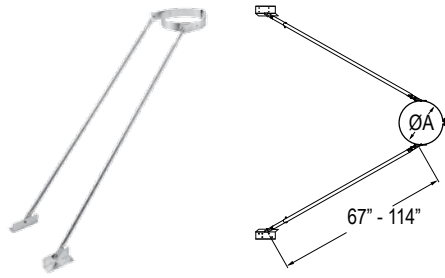
## Storm Collar



Required with DuraPlus flashing to create a weather proof penetration through the roof deck. Seal inner edge of the collar to the chimney pipe with non-hardening 500° F high-temperature sealant.

SIZE	6"	7"	8"
A	10"	11"	12"
B	13"	14"	15"
STOCK #	9959		

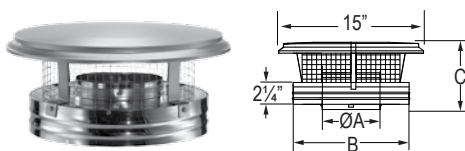
### Extended Roof Bracket



Use to support the chimney when it extends more than 4' above the roof. Provides stability to chimney against wind and snow. Mounting brackets and adjustable legs included.

SIZE	6"	7"	8"
A	10"	11"	12"
STOCK #	9061	9161	9261

### Chimney Cap



Required where chimney pipe terminates above the roofline. Removable screws allow for cleaning of the chimney and spark arrester screen. Made of stainless steel. Shown with optional Spark Arrester screen.

SIZE	6"	7"	8"
A	6"	7"	8"
B	12"	13"	14"
C	7"	8"	8"
STOCK #	9084	9184	9284

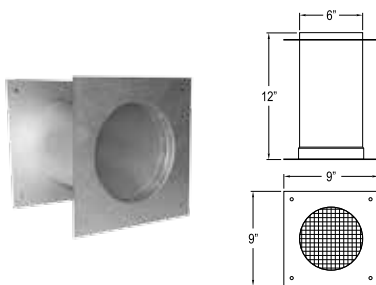
### Spark Arrester



Use on inside of cap. Optional Spark Arrester may be required.

SIZE	6"	7"-8"
STOCK #	9082	9482

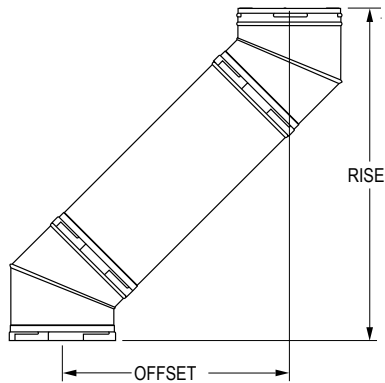
### Chase Air Intake w/ Rodent Guard



Allows required ventilation air into chase. Screen keeps rodents out.

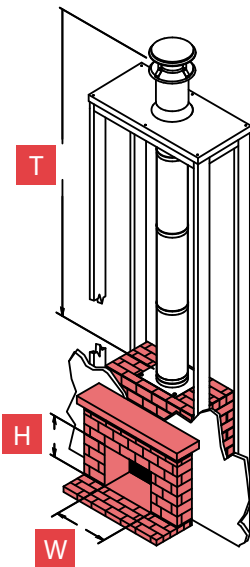
SIZE	6"
STOCK #	1468

### Offset Chart

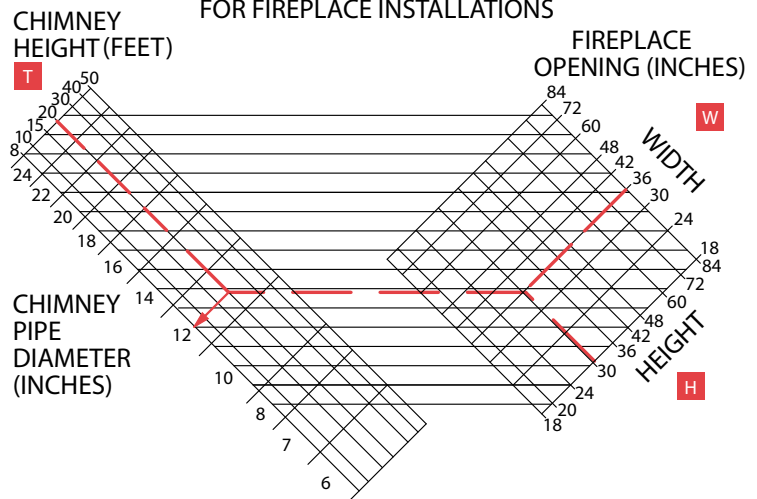


SIZE		6" DIAMETER		7" DIAMETER		8" DIAMETER	
Elbow Degrees	Chimney Section	Offset Inches	Rise Inches	Offset Inches	Rise Inches	Offset Inches	Rise Inches
15°	0"	1 1/2"	12"	1 3/4"	13 1/2"	1 3/4"	13 1/2"
15°	12"	4 1/4"	23 1/2"	4 1/4"	20 1/2"	4 1/4"	23 1/2"
15°	24"	7 1/2"	34"	7 3/4"	35 1/2"	6 3/4"	35 1/2"
15°	36"	10 1/2"	45 1/2"	10 3/4"	46 3/4"	9 1/2"	47"
15°	24"+24"	13 1/4"	55 1/2"	13 1/2"	57"	12"	57 1/4"
30°	0"	3 3/4"	14 3/4"	3 3/4"	14 1/4"	3 3/4"	14 3/4"
30°	12"	9"	24"	9"	24"	9"	24"
30°	24"	15"	33 3/4"	15"	33 1/4"	14 3/4"	34 1/4"
30°	36"	21"	44"	21"	43 1/2"	20 1/2"	44 3/4"
30°	24"+24"	26 1/4"	53"	26"	52 1/2"	25 1/2"	53 3/4"

### Sizing Chart



### CHIMNEY SIZING CHART FOR FIREPLACE INSTALLATIONS



Dotted line represents sample problem. Example shows fireplace opening as 36" wide and 30" high, and the chimney height as 20'. The correct flue size for the sample problem is 12" diameter pipe.